


# Technical Specifications

## YG1079 - 2/3pin Series Electrical Connectors

### • Product Overview


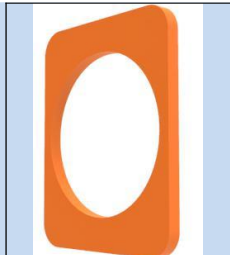
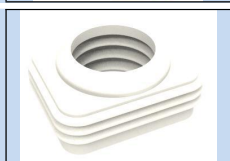
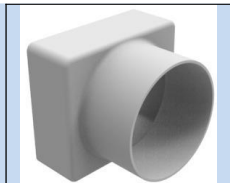


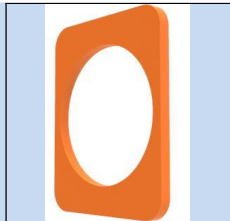
 <p><b>Application Scenario</b> Suitable for electrical connections of electric vehicle air-conditioning compressors, PTCs, chargers, DCDCs, high-voltage boxes, etc.</p>	<h3>Advantages</h3> <ul style="list-style-type: none"><li>✓The product can achieve 360-degree full shielding;</li><li>✓The product can realize secondary interlocking and unlocking;</li><li>✓The product has a delayed high voltage interlocking function;</li><li>✓The key positions at both ends adopt 2 different combinations to realize the function of preventing wrong insertion;</li><li>✓The connection between the plug and the receptacle is a straight plug-in locking structure;</li><li>✓High protection level, after the plug and receptacle are matched, the protection level reaches IP67 &amp; IP6K9K.</li></ul>
---	---

• Ordering Information


No.	Plug name&Part No.	Receptacle name&Part No.	Outlet mode	Receptacle anti-fool key position	Anti-fool-proof key position
1	YGC1079-EV-S(2+2)P/ I plug (112010103215) YGC1079-EV-S(2+2)PW/ I plug (111000100381)	YGC1079-EV-P(2+2)R/ I receptacle (111000100383)	Internal thread (M6)	none	Type I
		YGC1079-EV-P(2+2)RB/ I receptacle (112020103571)	Copper busbar (180°)		
		YGC1079-EV-P(2+2)RD/ I receptacle (112020103736)	Copper busbar (180° reverse installation)		
		YGC1079-EV-P(2+2)RF/ I receptacle (112020103777)	Copper busbar (90°)		
		YGC1079-EV-P(2+2)RG/ I receptacle (112020104607)	Copper busbar (180°)		
		YGC1079-EV-P(2+2)RP/ I receptacle (112020107295)	Copper busbar (90°)		
		YGC1079-EV-P(2+2)RT/ I receptacle (112020107704)	Copper busbar (180°)	Type 1	
		YGC1079-EV-P(2+2)RC/ I receptacle (112020103433)	Copper busbar (180°)		
		YGC1079-EV-P(2+2)RJ/ I receptacle (112020105339)	Copper busbar (180° reverse installation)		
2	YGC1079-EV-S(2+2)P/II plug (112010103254) YGC1079-EV-S(2+2)PW/II plug (112010103134)	YGC1079-EV-P(2+2)RB/II receptacle (112020103572)	Copper busbar (180°)	none	Type II
		YGC1079-EV-P(2+2)RE/II receptacle (112020103776)	Copper busbar (180°)		
		YGC1079-EV-P(2+2)RF/II receptacle (112020107608)	Copper busbar (90°)		
		YGC1079-EV-P(2+2)RC/II receptacle (112020103434)	Copper busbar (180°)	Type 2	
		YGC1079-EV-P(2+2)RP/II receptacle (112020107296)	Copper busbar (90°)		
3	YGC1079-EV-S(3+2)P/ I plug (112010103214) YGC1079-EV-S(3+2)PW/ I plug (111000100382)	YGC1079-EV-P(3+2)R/ I receptacle (111000100384)	Internal thread (M6)	none	Type I
		YGC1079-EV-P(3+2)RB/ I receptacle (112020103477)	Copper busbar (180°)		
		YGC1079-EV-P(3+2)RC/ I	Copper busbar		




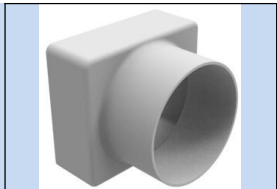
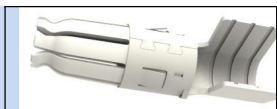
		receptacle (112020105338)	(180°)		
--	--	------------------------------	--------	--	--

Ordering Information (Wiring Accessories, Purchased Separately)

90° outlet					
No.	Adapter cable	Name	Part No.	Number of packages	Diagram (reference)
1	25mm <sup>2</sup> shielded cable (13.50±0.30)	YG1079 Tail Cap	114069803333	All Parts 2 pins with 2 pcs, 3 pins with 3 pcs Purchasing on demand	
		YG1079 stopper	114060400224		
		YG1063 Sealing wire body-25mm <sup>2</sup>	114050501135		
		YG1063 Shielding Sleeve-25mm <sup>2</sup>	114029801303		
		YG1063 Terminal-25mm <sup>2</sup>	114020100647		
2	35mm <sup>2</sup> shielded cable (14.50±0.5)	YG1079 Tail Cap	114069803333	All Parts 2 pins with 2 pcs, 3 pins with 3 pcs Purchasing on demand	
		YG1079 stopper	114060400224		

3	50mm <sup>2</sup> shielded cable (17.50±0.5)	YG1063 Sealing wire body-35mm <sup>2</sup>	114050501134	All Parts			
		YG1063 Shielding Sleeve-35mm <sup>2</sup>	114039802628				
		YG1063 Terminal-35mm <sup>2</sup>	114020100646				
		YG1079 Tail Cap	114069803333	2 pins with 2 pcs, 3 pins with 3 pcs On-demand purchase			
		YG1079 stopper	114060400224				
		YG1063 Sealing wire-50mm <sup>2</sup>	114050501122				
		YG1063 Shielding Sleeve-50mm <sup>2</sup>	114029801291				
		YG1063 Terminal-50mm <sup>2</sup>	114020100535				
		180° outlet					
		No.	Adapter cable		Name	Part No.	Number of packages
1	25mm <sup>2</sup> shielded cable (13.50±0.30)	YG1079 Tail Cap	114069803333	All Parts 2 pins with 2 pcs, 3 pins with 3 pcs Purchasing on demand			

		YG1079 stopper	114060400224		
		YG1063 Sealing wire body-25mm2	114050501135		
		YG1063 Shielding Sleeve-25mm2	114029801303		
		YG1063 straight socket assembly-25mm2	113020601461		
2	35mm2 shielded cable (14.50±0.5)	YG1079 Tail Cap	114069803333	All Parts 2 pins with 2 pcs, 3 pins with 3 pcs Purchasing on demand	
		YG1079 stopper	114060400224		
		YG1063 Sealing wire body-35mm2	114050501134		
		YG1063 Shielding Sleeve-35mm2	114039802628		
		YG1063 straight socket assembly-35mm2	113020601460		

3	50mm <sup>2</sup> shielded cable (17.50±0.5)	YG1079 Tail Cap	114069803333	All Parts 2 pins with 2 pcs, 3 pins with 3 pcs On-demand purchase	
		YG1079 stopper	114060400224		
		YG1063 Sealing wire-50mm <sup>2</sup>	114050501122		
		YG1063 Shielding Sleeve-50mm <sup>2</sup>	114029801291		
		YG1063 straight socket assembly-50mm <sup>2</sup>	113020601458		
receptacle purchased separately					
No.	Adapter cable	Name	Part No.	Number of packages	Diagram (reference)
1	0.5mm <sup>2</sup> unshielded (1.5/1.8±0.1)	YG939 signal terminal (socket)	501021600128	All Parts 2 pins with 2 pcs, 3 pins with 2 pcs Purchasing on demand	/

**Note:**

**If LV216 shielded wire is used for 35mm<sup>2</sup> and 50mm<sup>2</sup>, the sealing body should be replaced as follows:**

Name	Part No.
YG1079-1 Sealing body-35(LV216)	114050501816
YG1079-1 Sealing body-50(LV216)	114050501818

**• Technical Data**

Basic Information	
PIN distance	/
Number of pins	2pin、3pin、
Adaptation pinhole	Plug - power socket, signal socket; receptacle - power pin, signal pin

Outlet direction	180°、90°
------------------	----------

Electrical properties	
Rated voltage	1000 V (power), 24 V (signal)
Rated current	120A (25mm <sup>2</sup> ), 150A (35mm <sup>2</sup> ), 200A (50mm <sup>2</sup> )
Insulation resistance	≥5000MΩ (power) ≥1000MΩ (signal) (normal)
Withstand voltage	4000 V (power), 1000 V (signal) (50Hz AC normal)
Contact resistance	≤0.36mΩ
HVI	yes
Electrical continuity between shells/shield contact resistance	/

Mechanical properties	
Total pullout force	≤75N
Insertion force	≤75N
Locking force	≥110N
Mechanical life	≥50 times
vibration	/
Shock	/

Environmental resistance	
Operating temperature	-40°C ~ +125°C
Relative humidity	95% (at 40°C)
Salt spray	96h
Protection level	IP67&IP6K9K (header plug-in) \ IPXXB (unmatched state)
Pollution degree	2
Altitude requirements	≤2000m

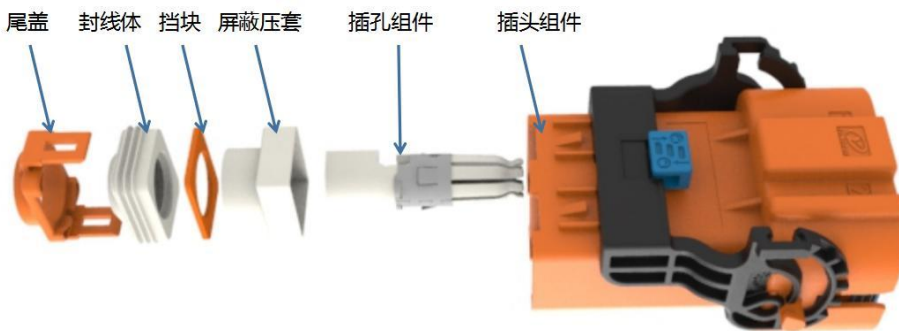
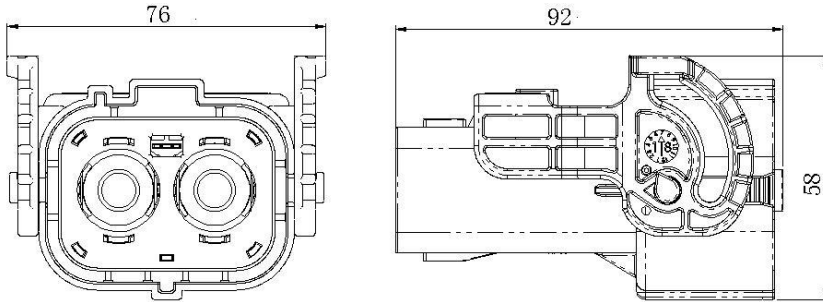
Material/Coating/Appearance	
case	PA66
Insulator	Plug end: PA66, receptacle end: PA66
Pinhole parts/terminals	Power parts: copper alloy/silver plating, signal parts: copper alloy/silver plating

Standards and Certification	
Flame retardant grade	UL94 V-0 (plastic) (except seals)
Environmental requirements	RoHS 2.0
Implementation Standards	QC/T1067.1-2017

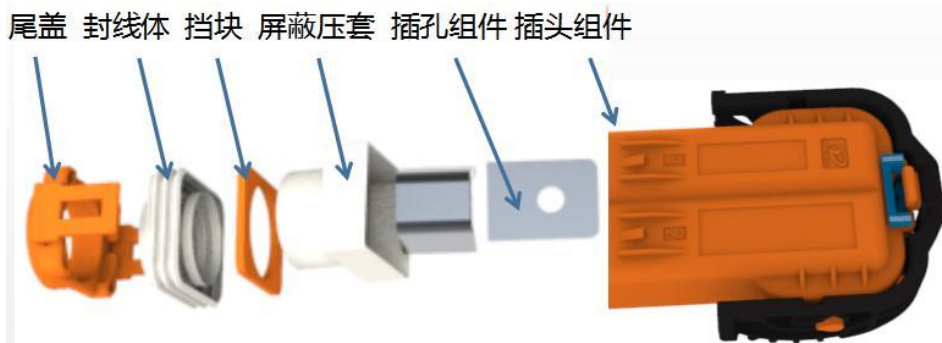
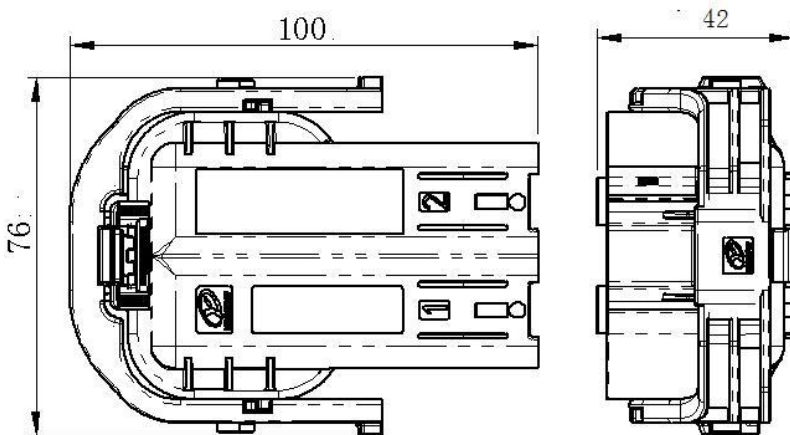


• Dimensions

1. Appearance of two-pin straight plug assembly (tolerance not specified:  $\pm 0.5$ )

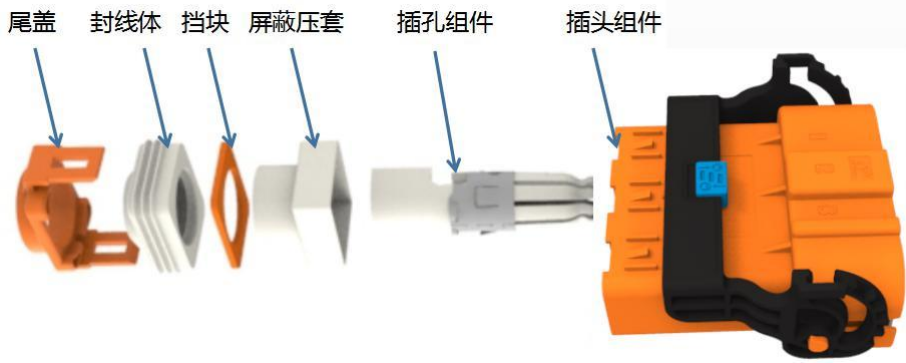
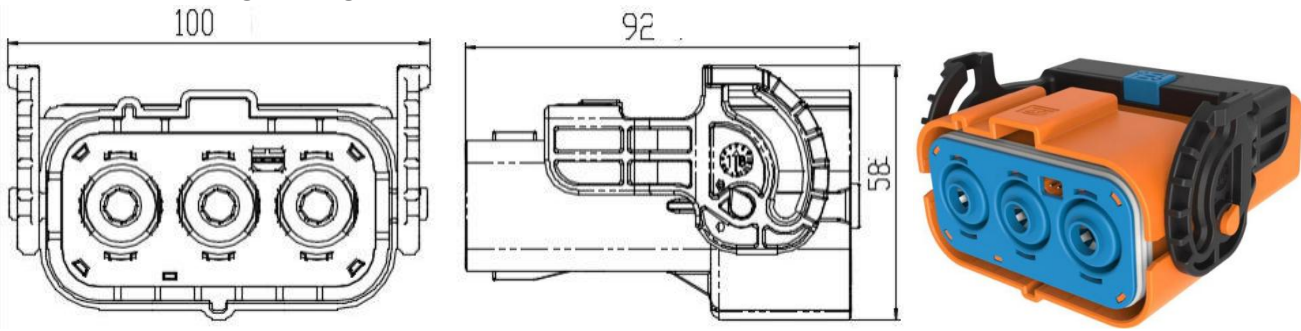


2. Two-pin angled plug shape (tolerance not specified:  $\pm 0.5$ )



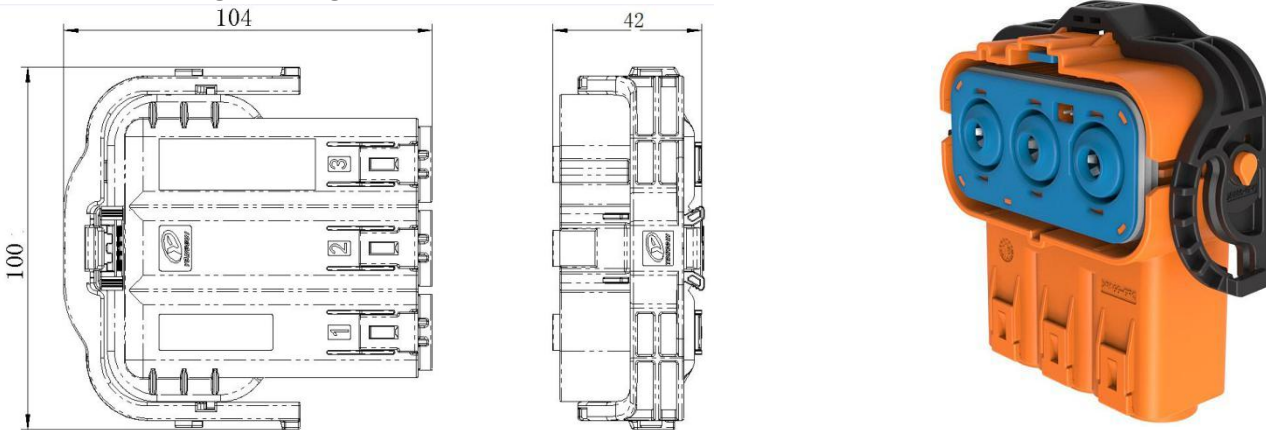


**3. Three-pin straight plug appearance** (tolerance not specified:  $\pm 0.5$ )

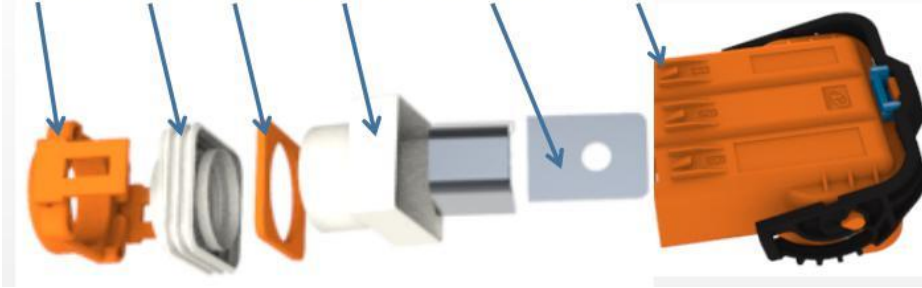


**4. Three-pin angled plug appearance** (tolerance not specified:  $\pm$

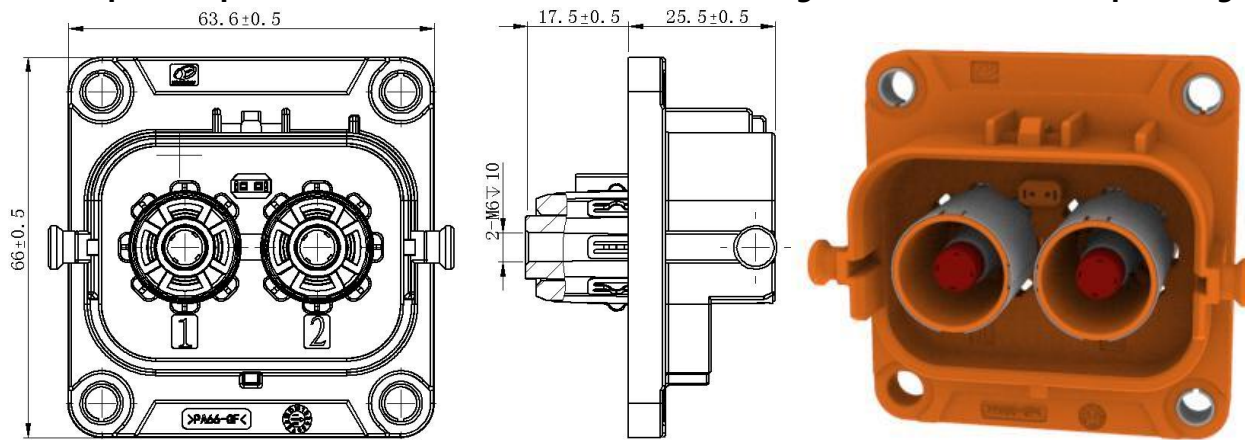
0.5)



尾盖 封线体 挡块 屏蔽压套 插孔组件 插头组件

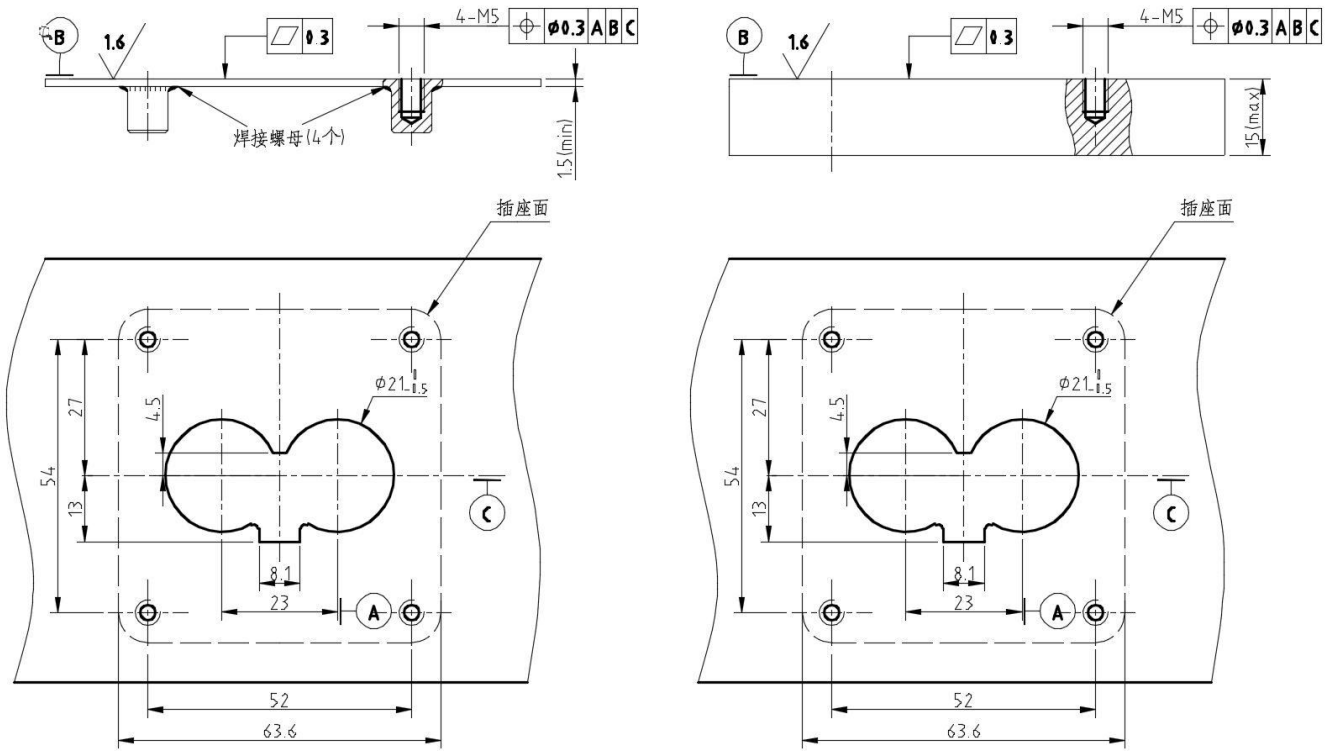


**5. Two-pin receptacle: YGC1079-EV-P(2+2)R/ I (excluding installation anti-foolproofing)**

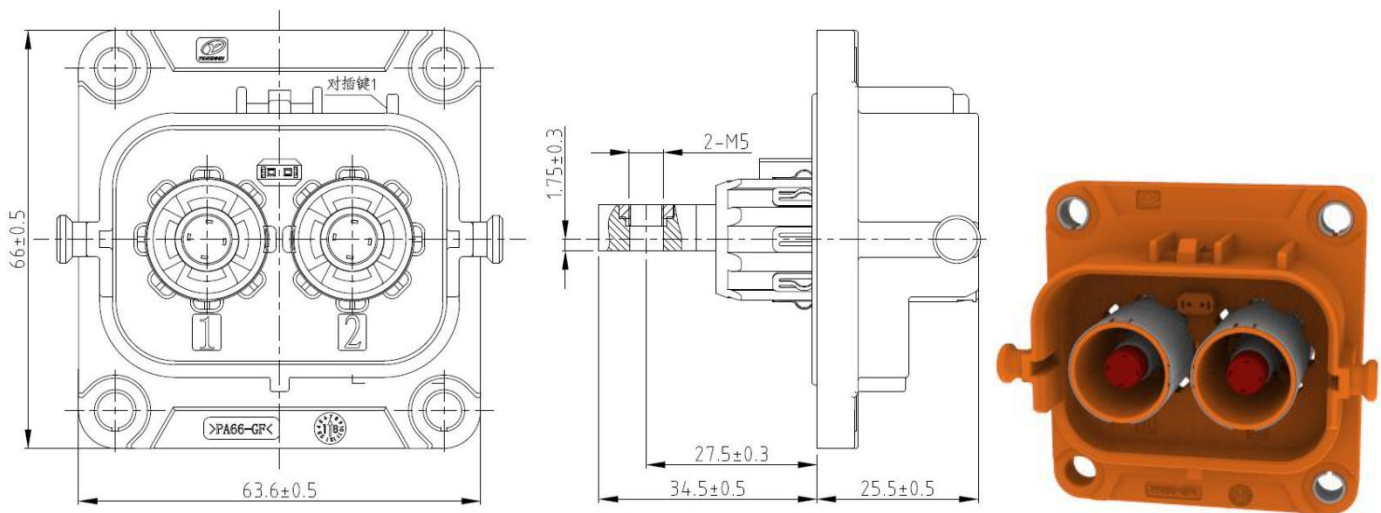


Recommended panel thickness and installation hole size

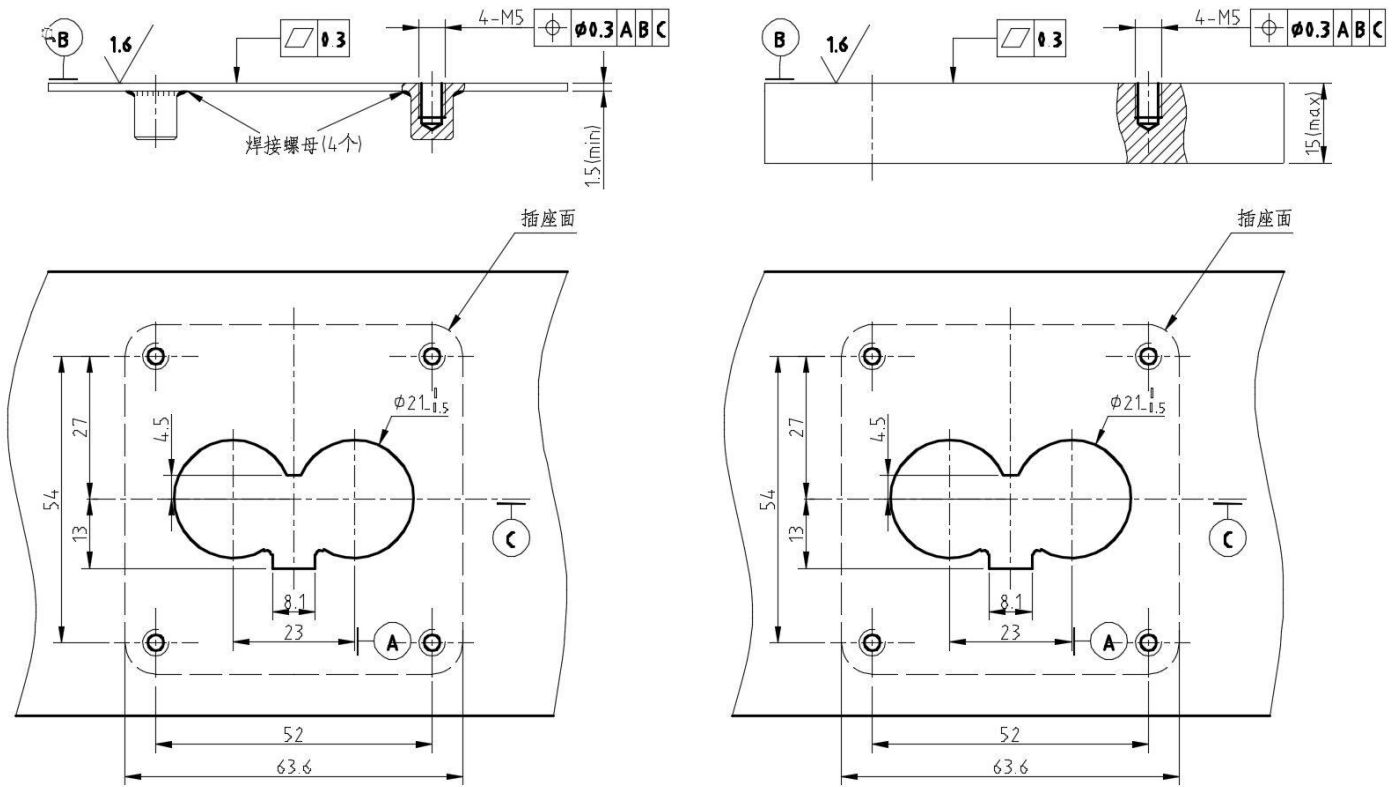




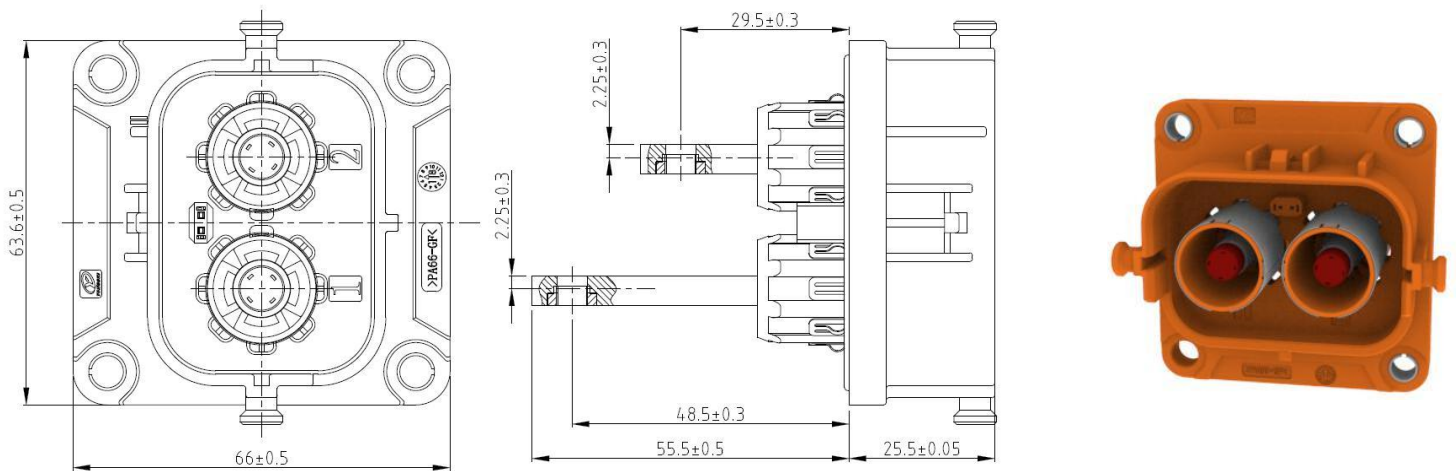
**7. Two-pin receptacle: YGC1079-EV-P(2+2)RD/ I (excluding installation anti-foolproofing)**



Recommended panel thickness and installation hole size

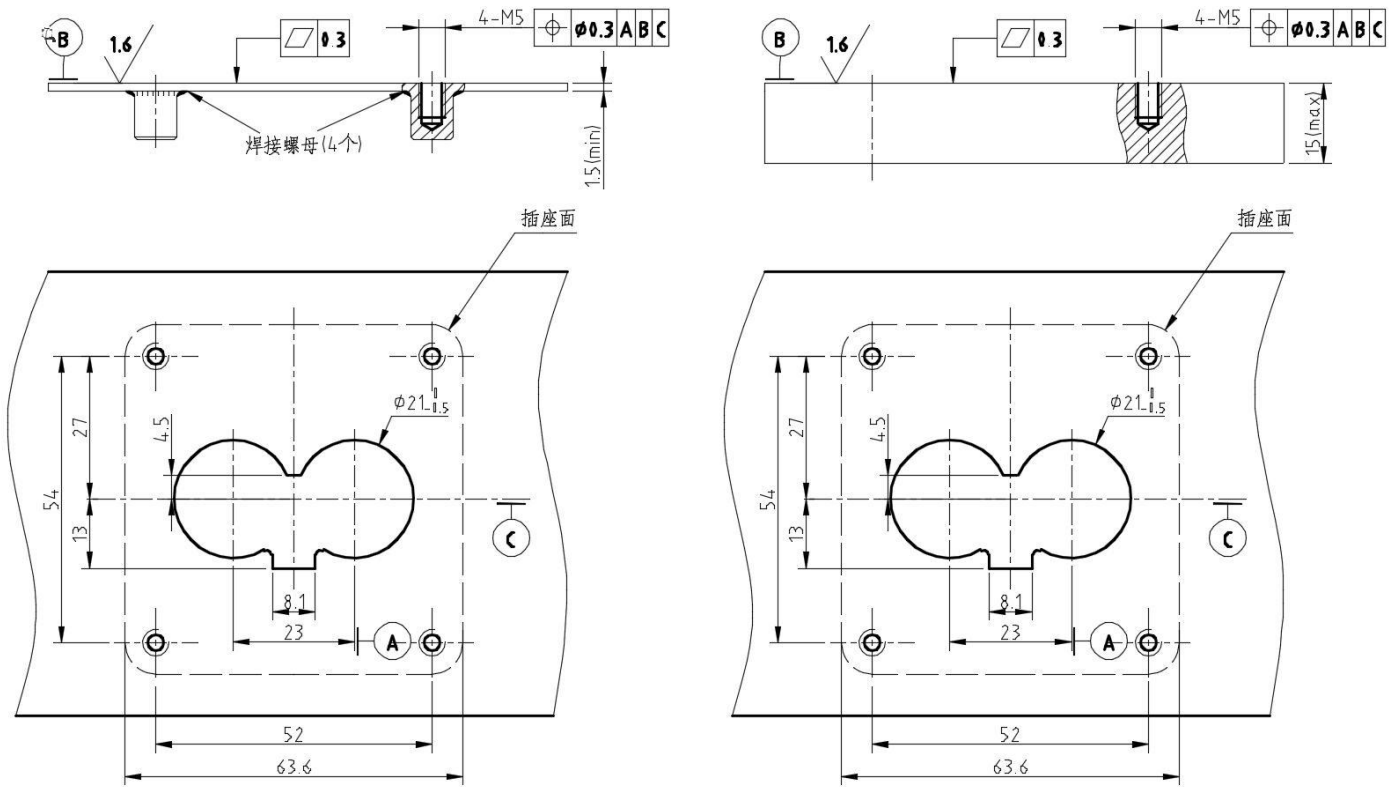


**8. Two-pin receptacle: YGC1079-EV-P(2+2)RF/ I (excluding installation anti-foolproofing)**

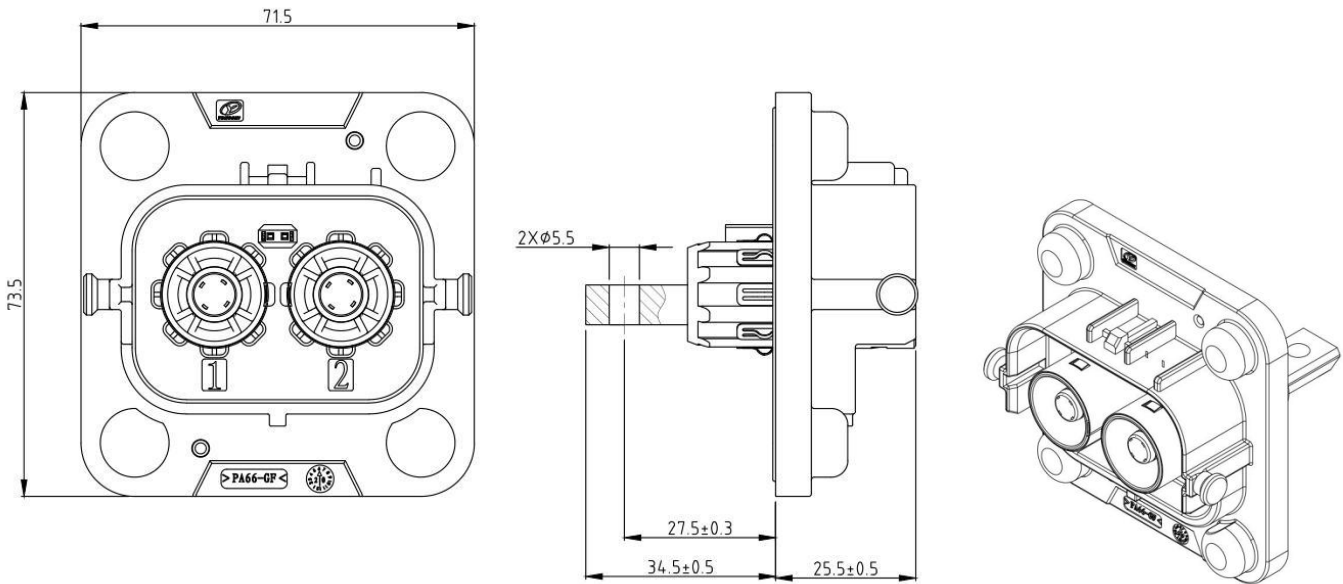


Recommended panel thickness and installation hole size

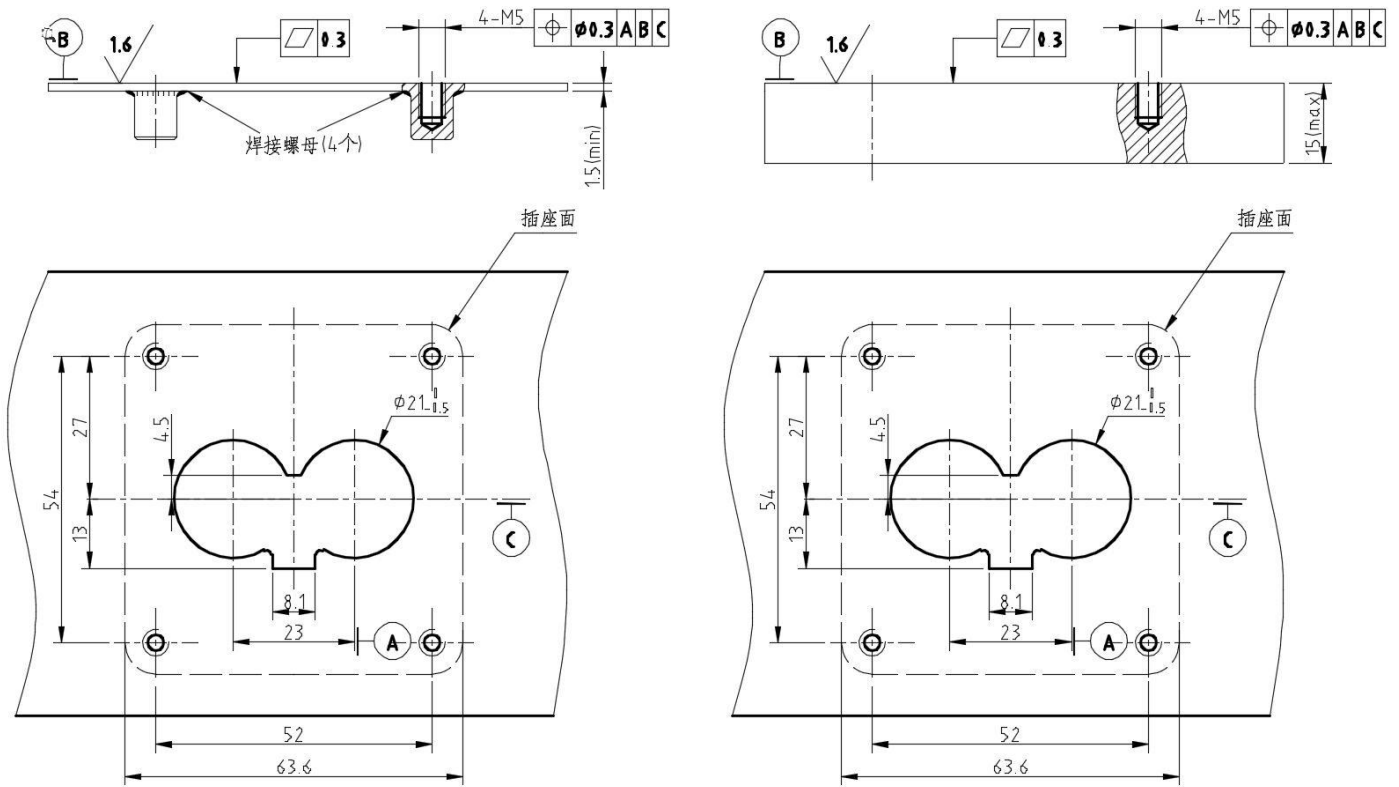




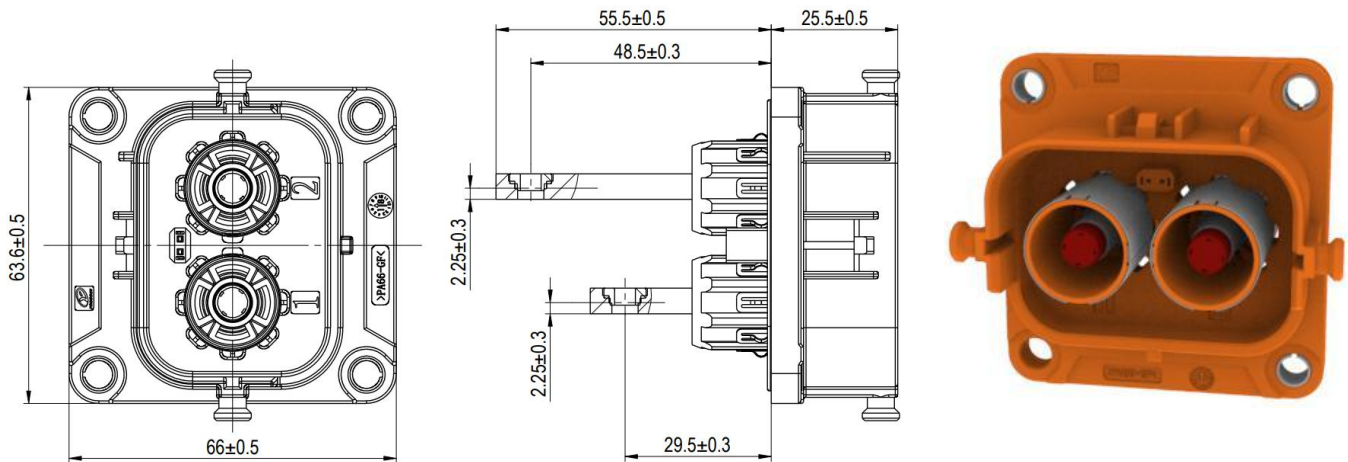
**9. Two-pin receptacle: YGC1079-EV-P(2+2)RG/ I (excluding installation anti-foolproofing)**



Recommended panel thickness and installation hole size

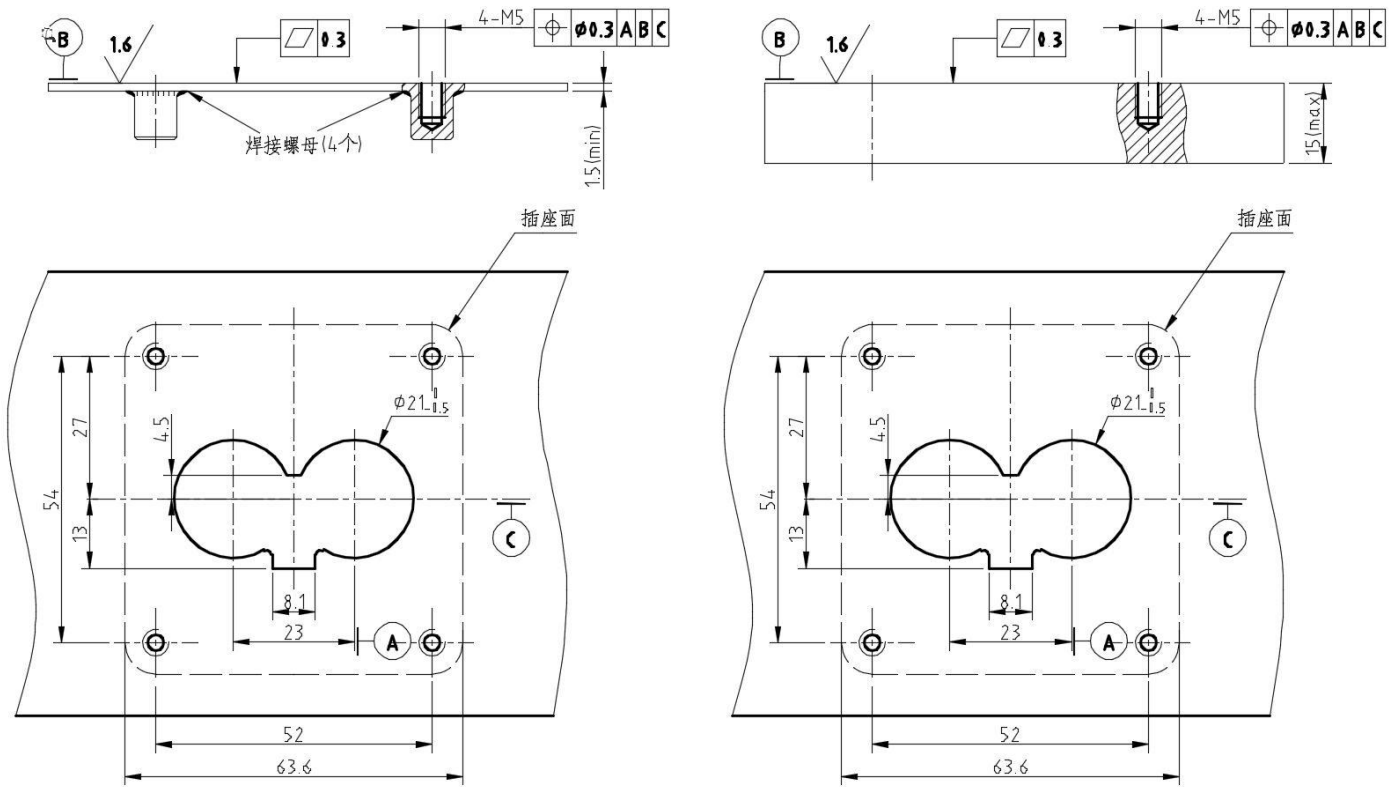


**10. Two-pin receptacle: YGC1079-EV-P(2+2)RP/ I (excluding installation anti-foolproofing)**

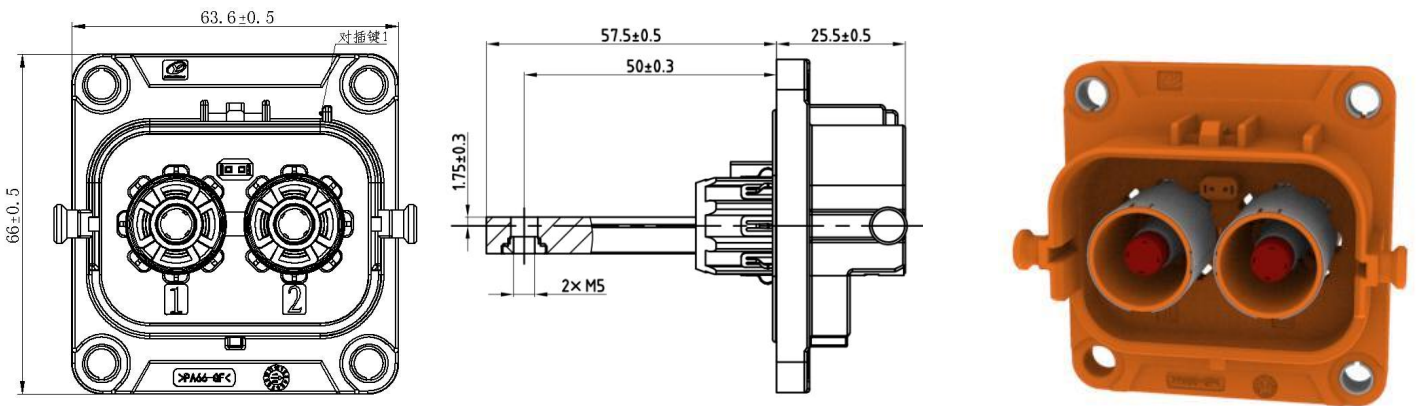


Recommended panel thickness and installation hole size

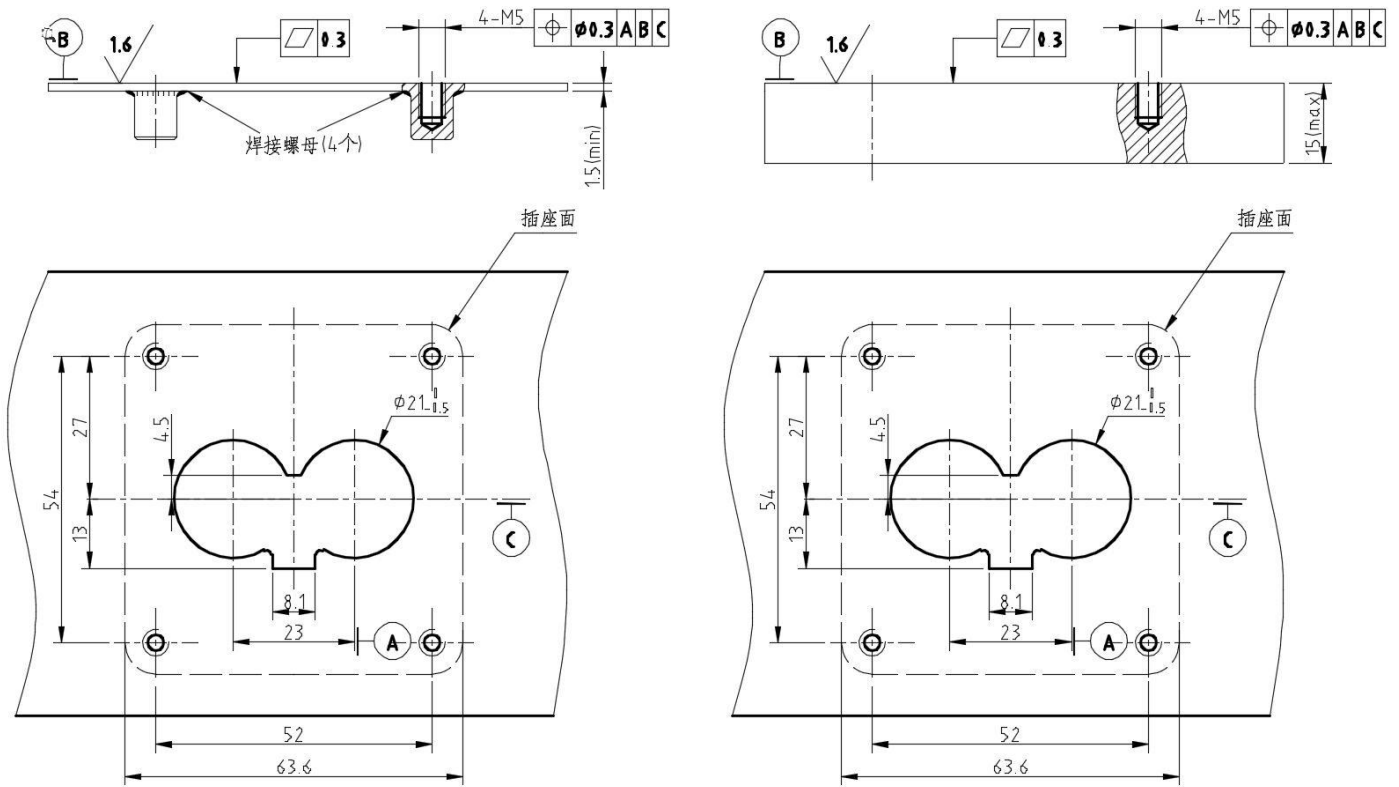




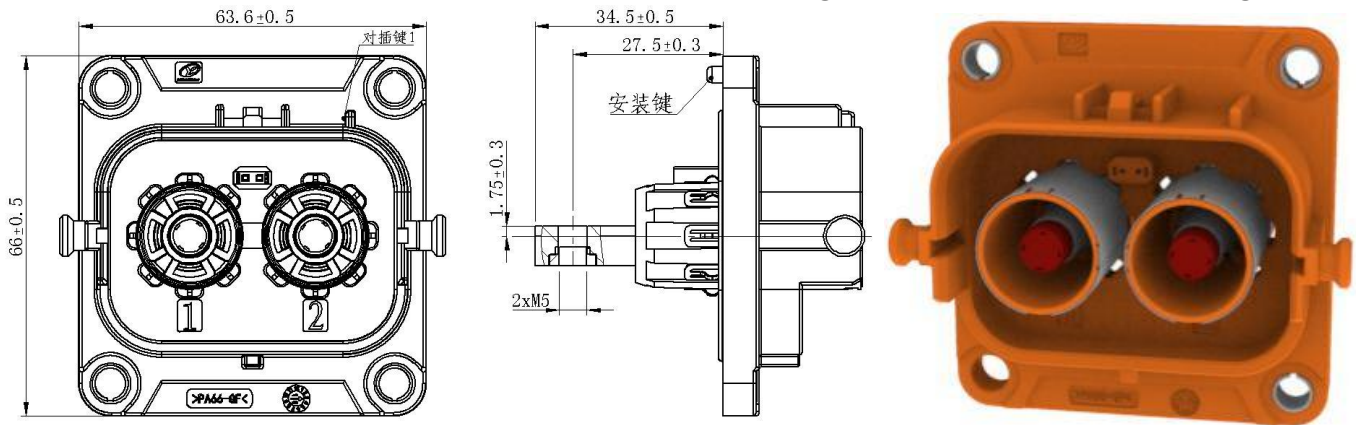
**11. Two-pin receptacle: YGC1079-EV-P(2+2)RT/ I (excluding installation anti-foolproofing)**



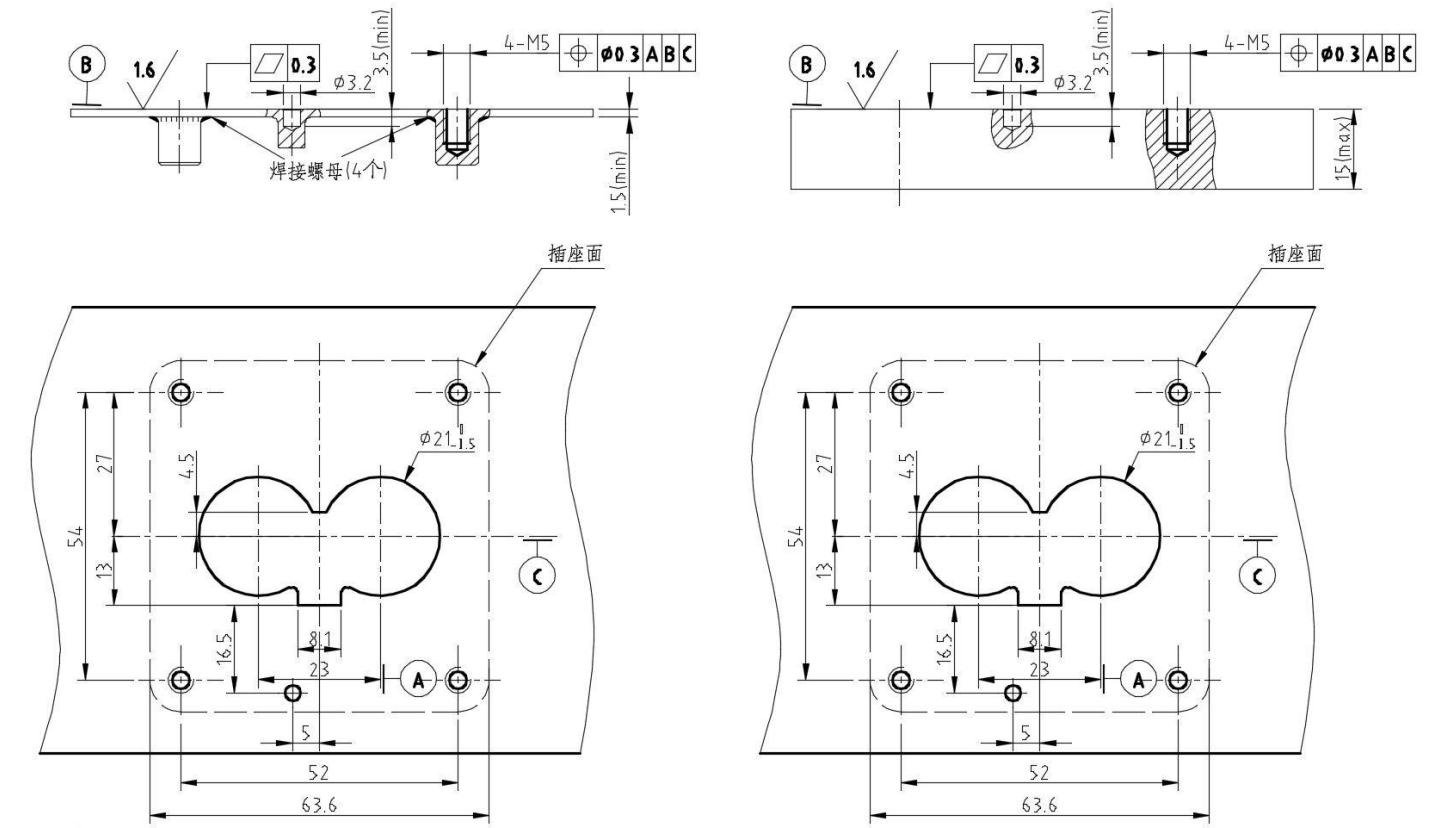
Recommended panel thickness and installation hole size



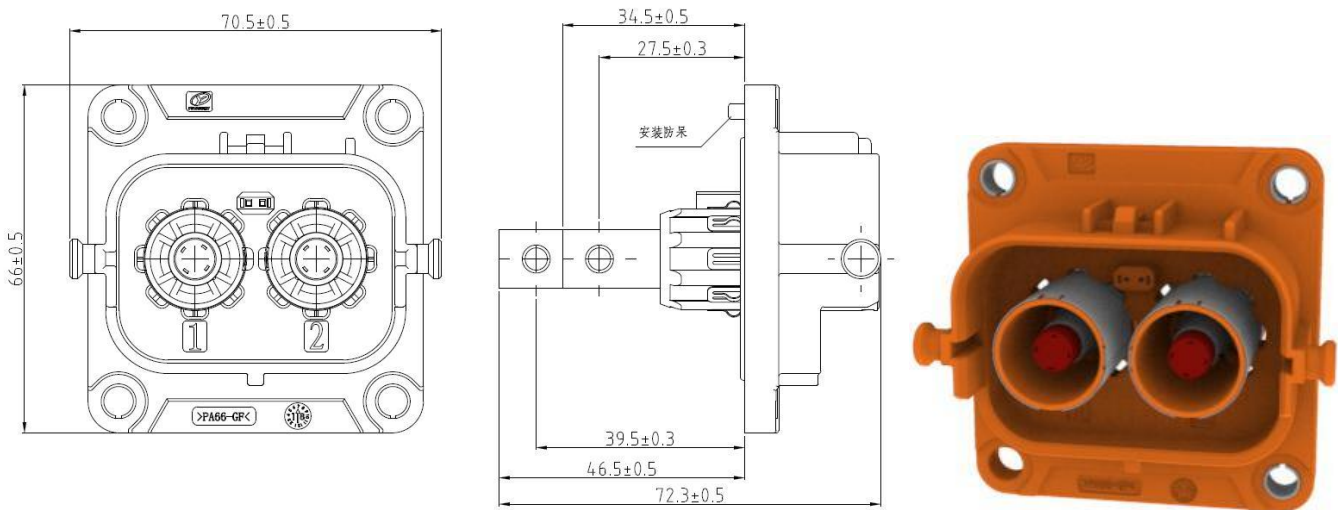
**12. Two-pin receptacle: YGC1079-EV-P(2+2)RC/ I (including installation anti-foolproofing)**



Recommended panel thickness and installation hole size

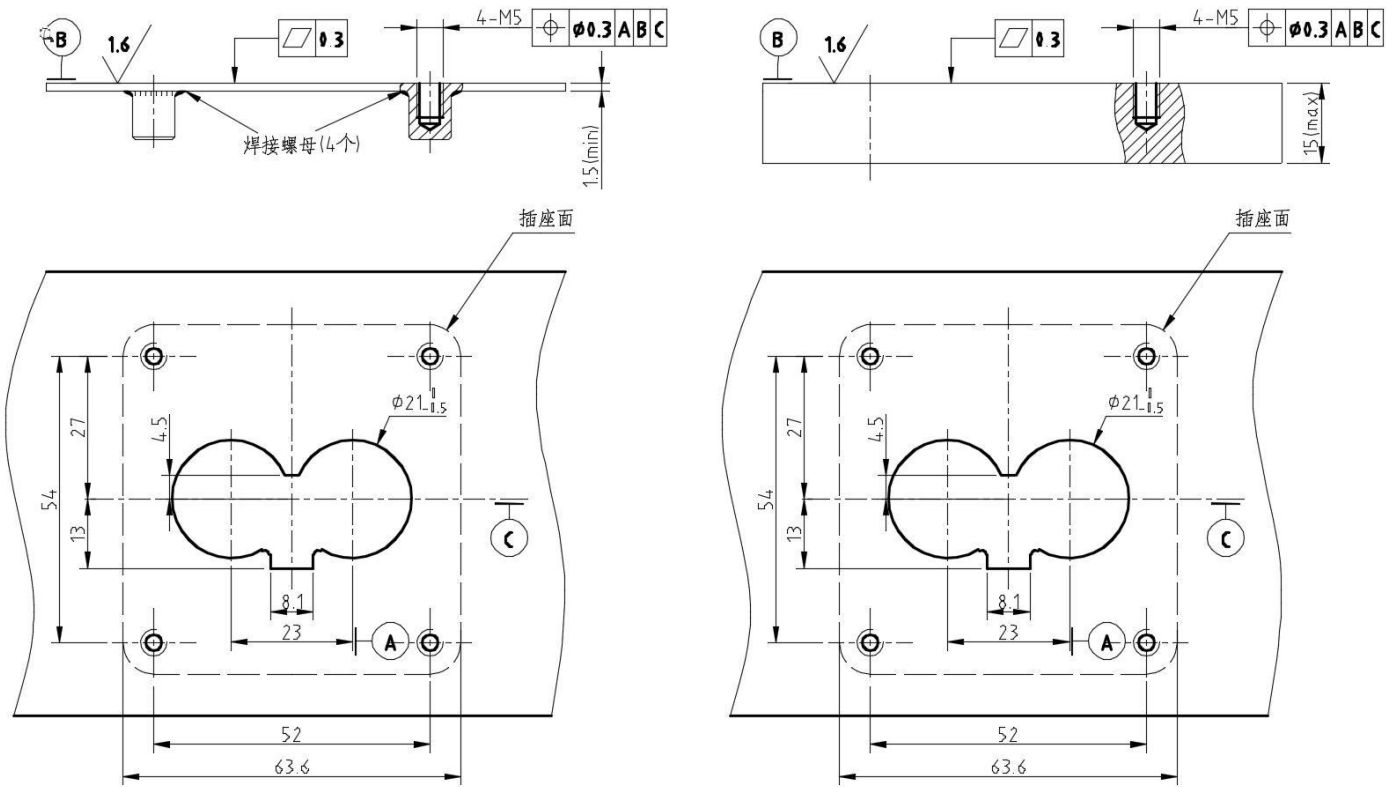


### 13. Two-pin receptacle: YGC1079-EV-P(2+2)RJ/ I (including installation anti-foolproof)

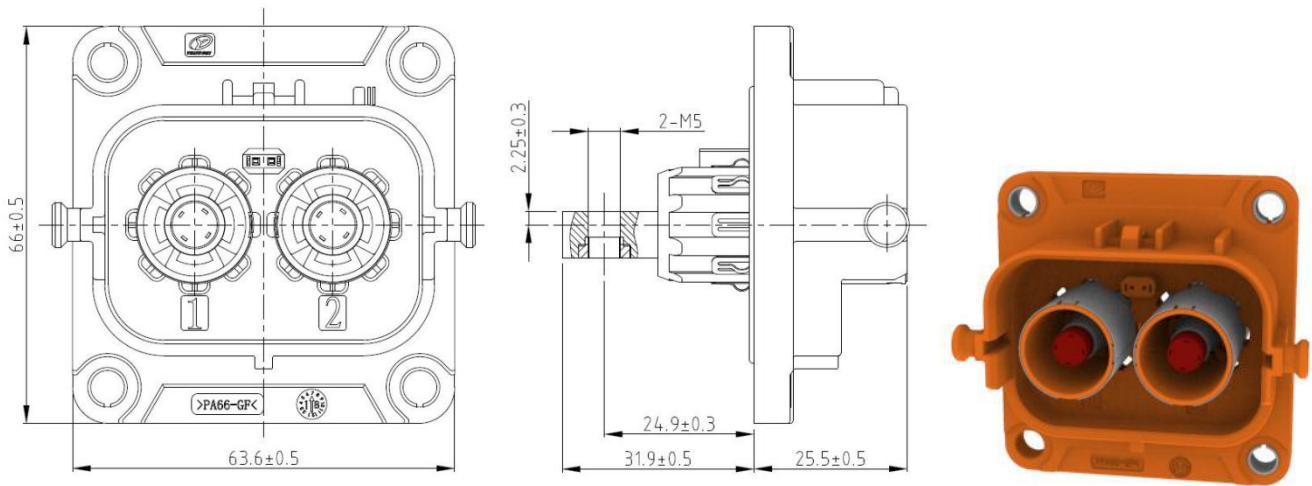


Recommended panel thickness and installation hole size



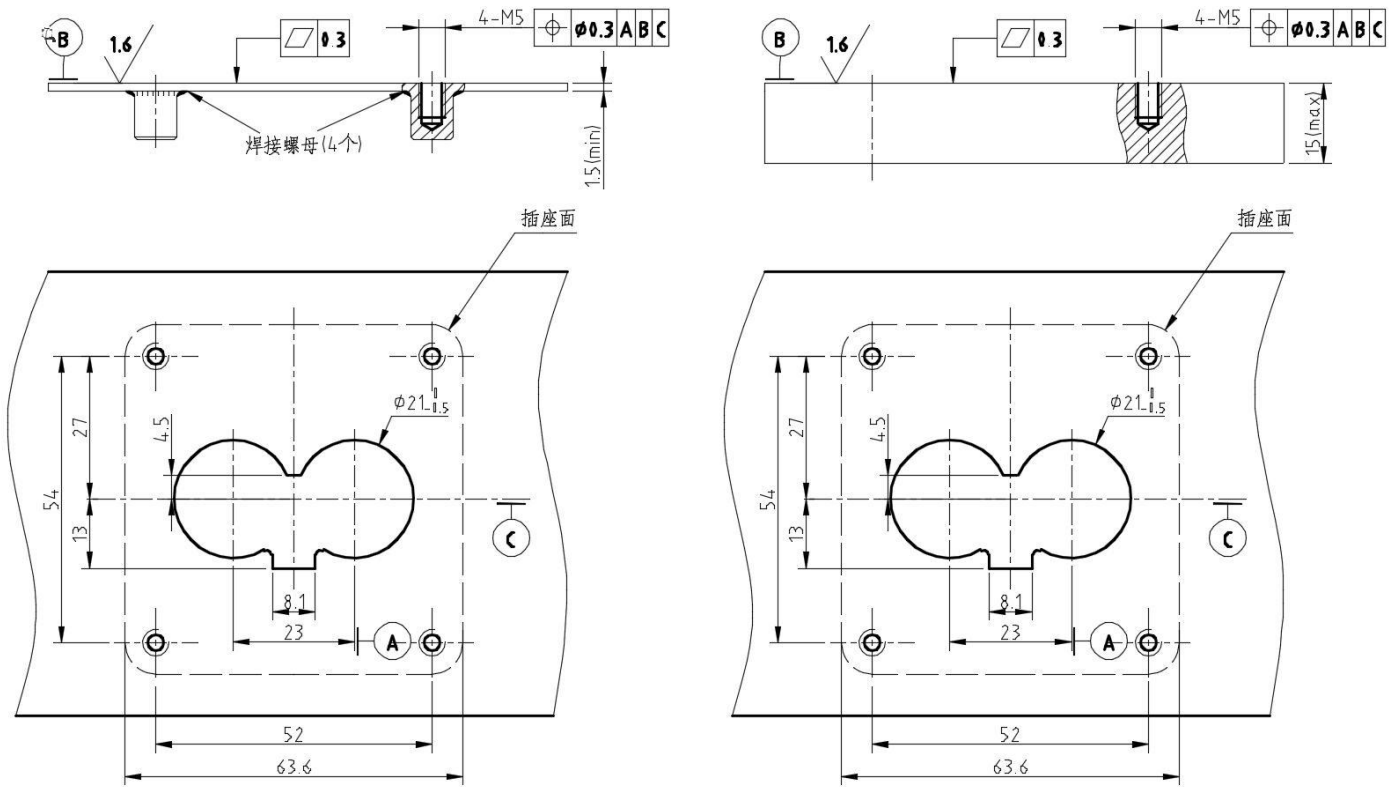


**15. Two-pin receptacle: YGC1079-EV-P(2+2)RE/II(excluding installation anti-foolproofing)**

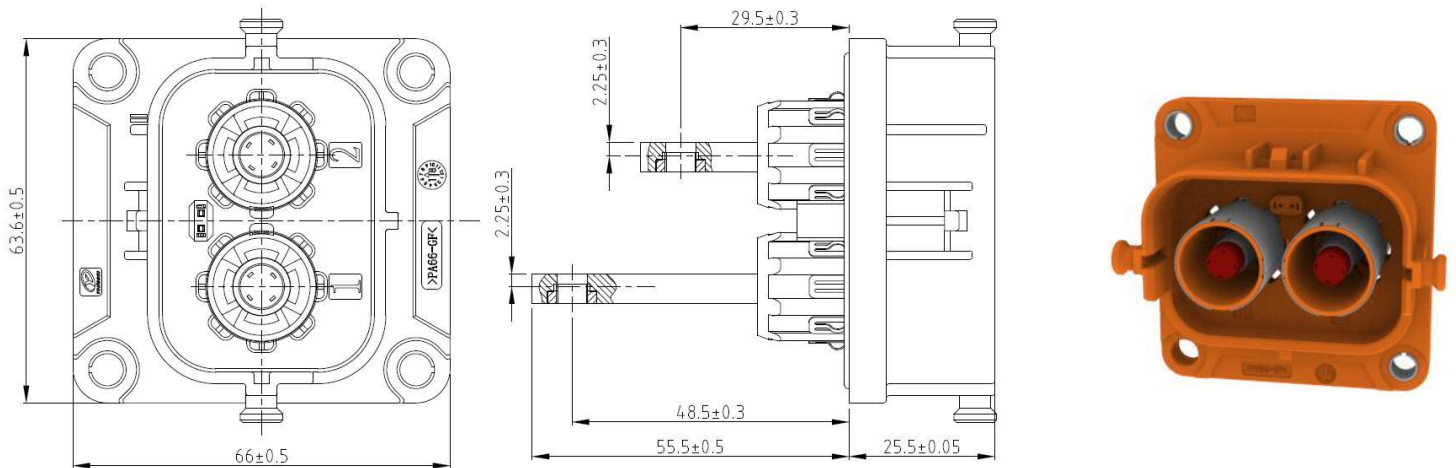


Recommended panel thickness and installation hole size

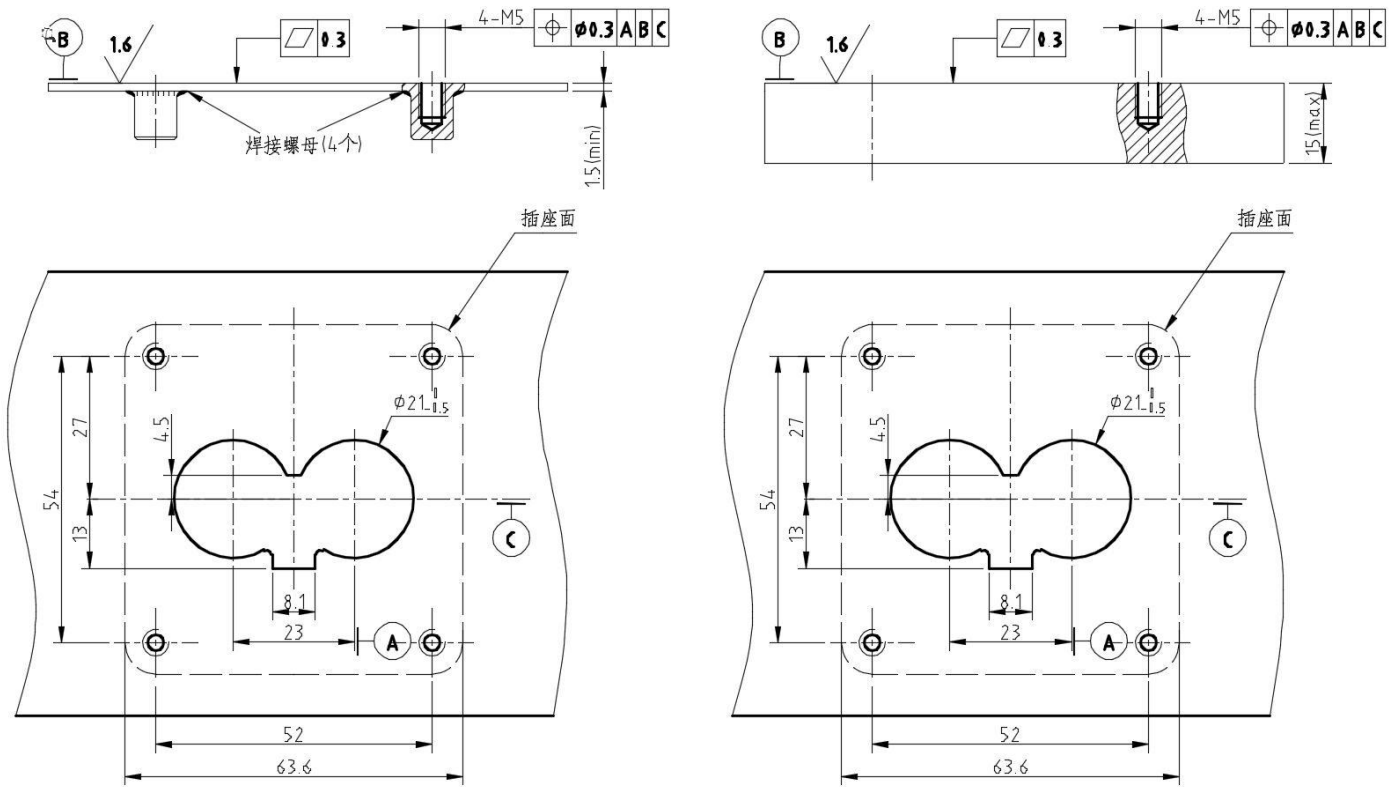




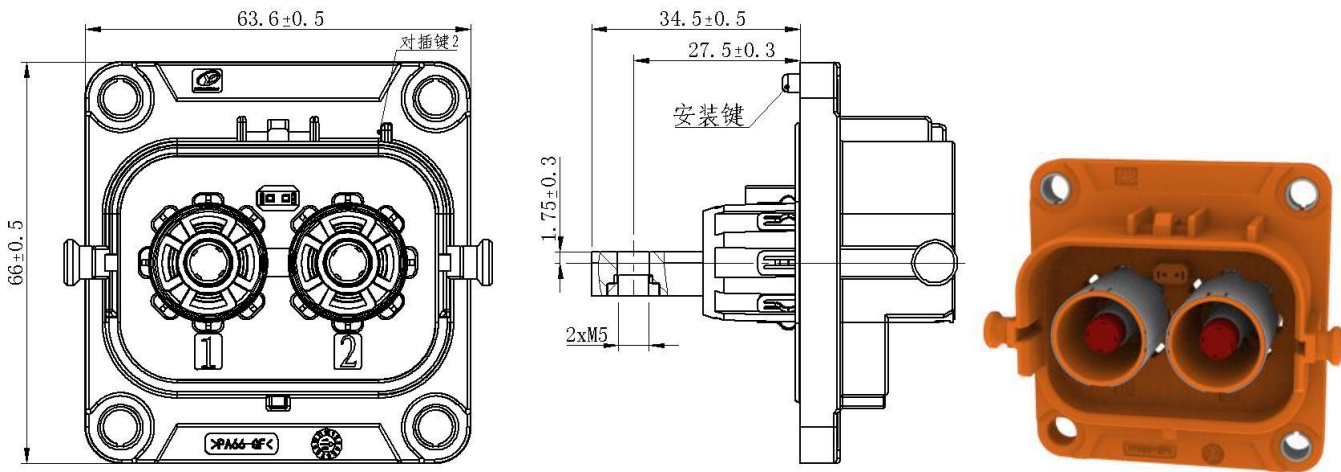
**16. Two-pin receptacle: YGC1079-EV-P(2+2)RF/II(excluding installation anti-foolproofing)**



Recommended panel thickness and installation hole size



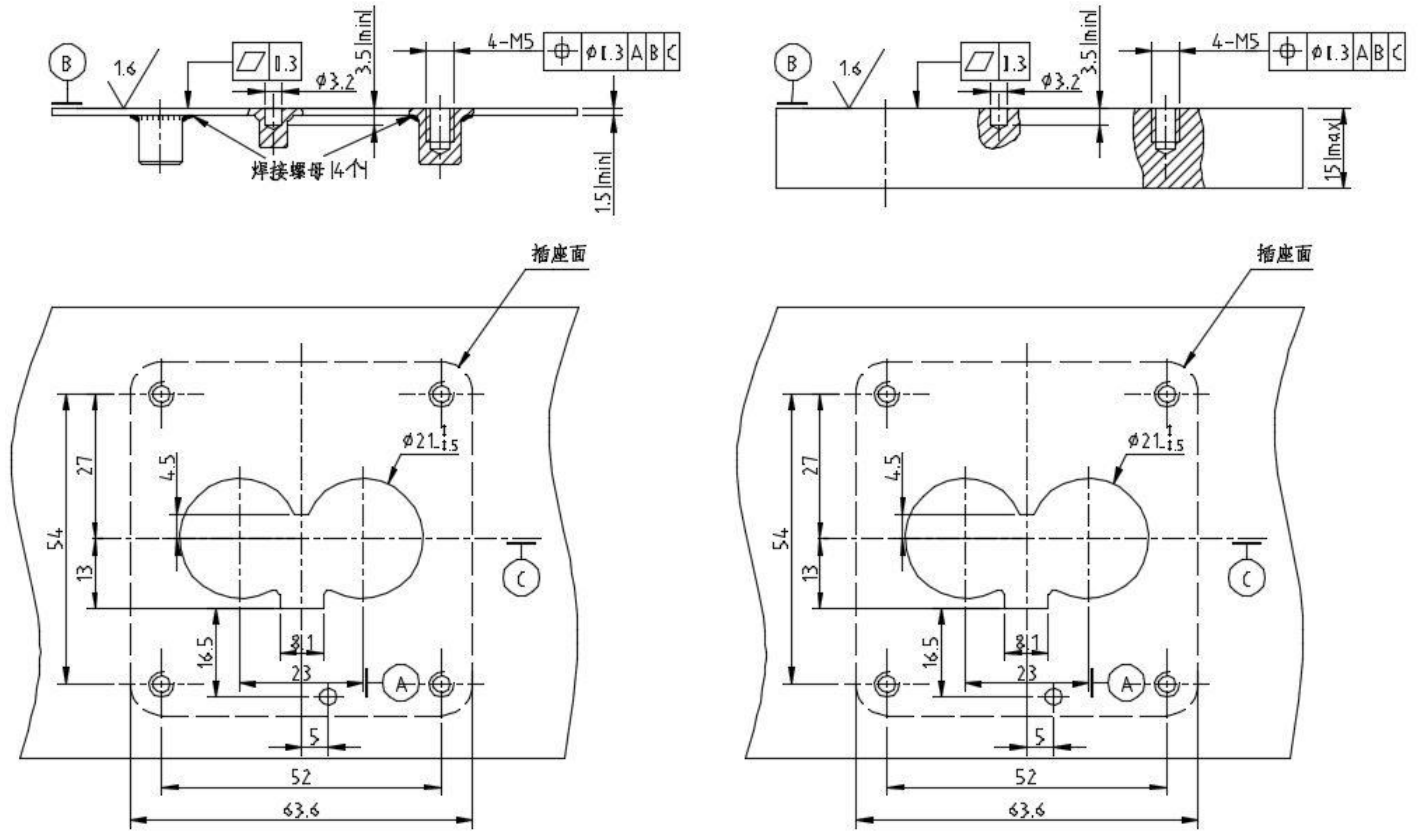
**17. Two-pin receptacle: YGC1079-EV-P(2+2)RC/II(including installation anti-foolproof)**



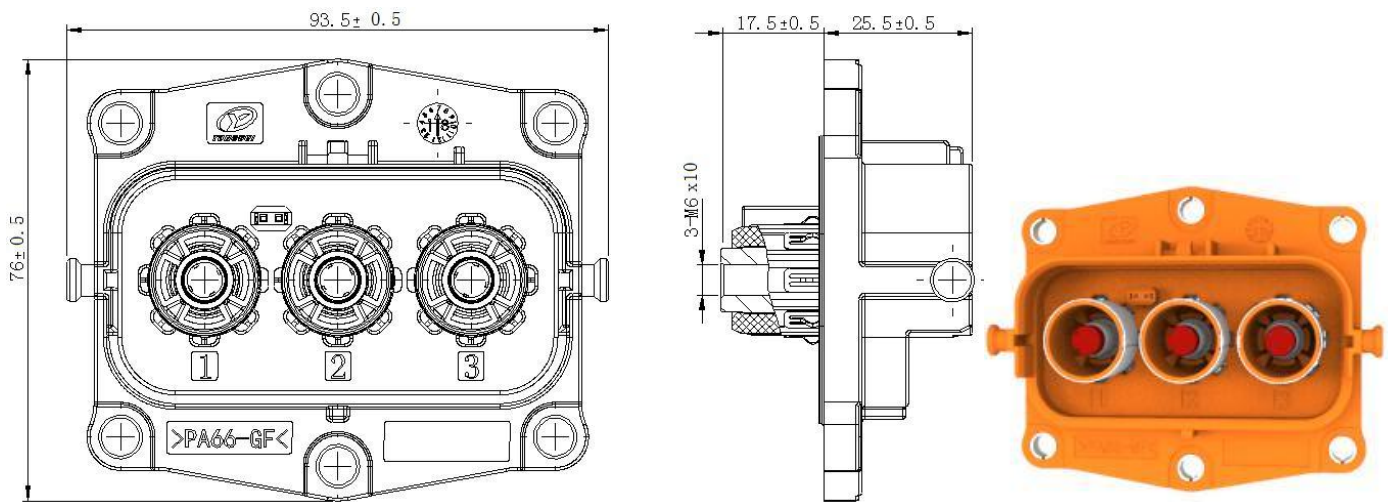
Recommended panel thickness and installation hole size



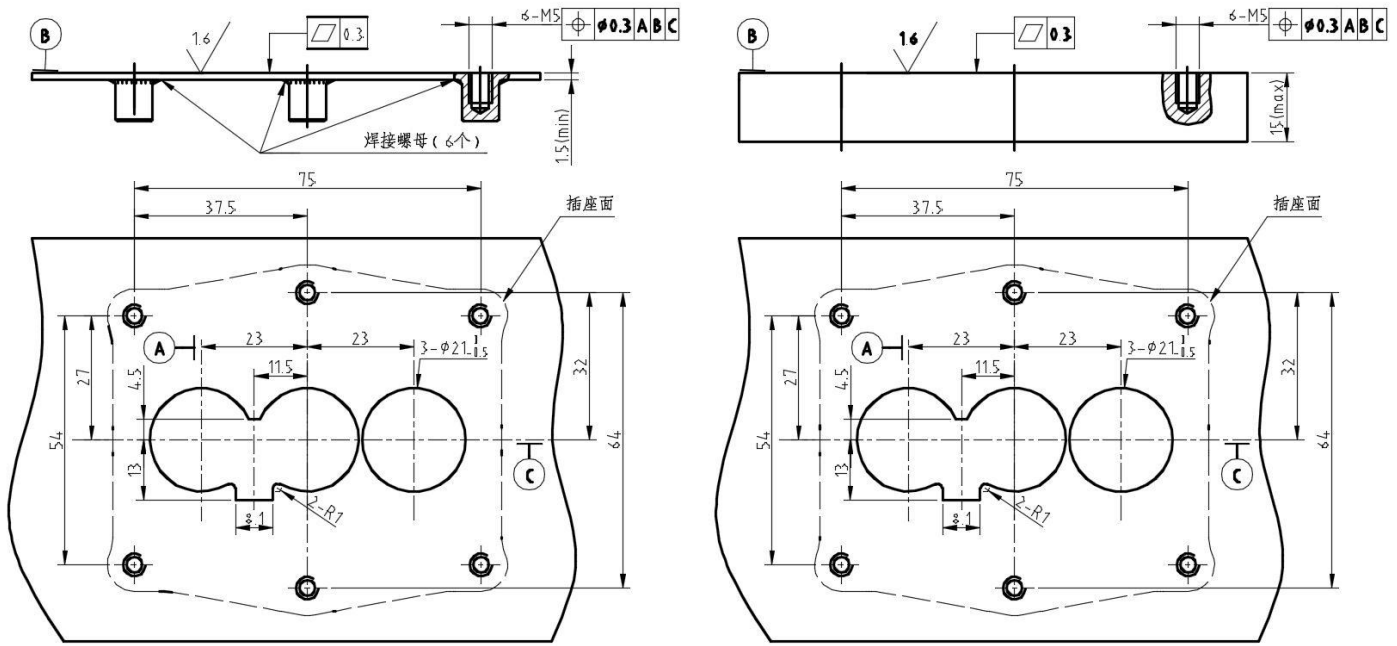




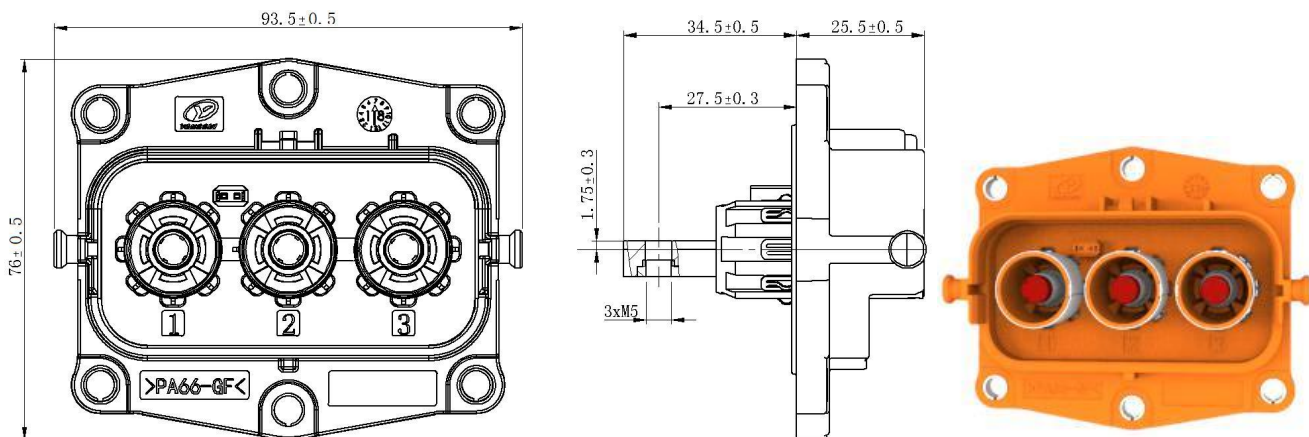
**19. Three-pin receptacle: YGC1079-EV-P(3+2)R/ I**



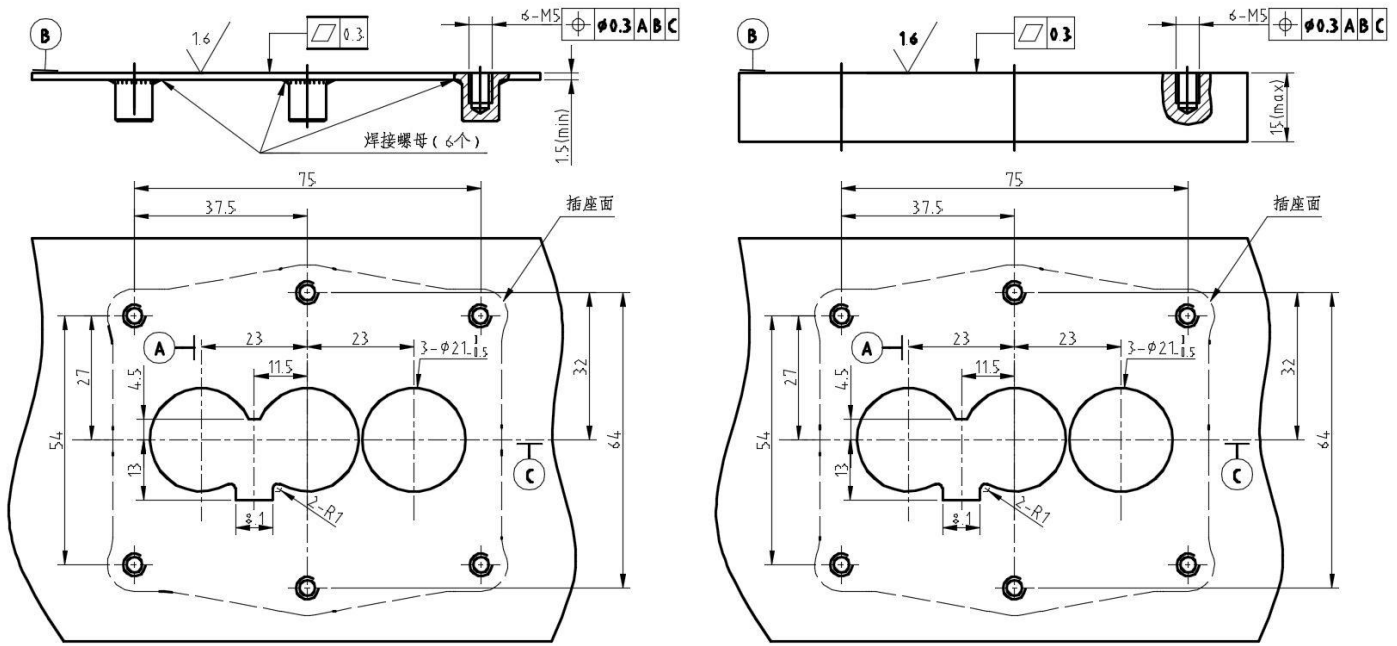
Recommended panel thickness and installation hole size



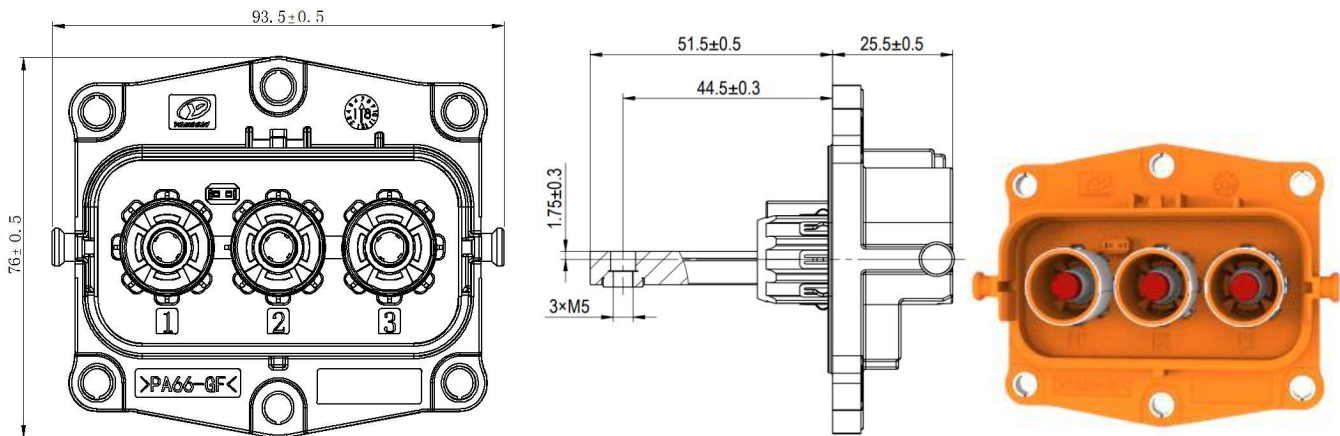
**20. Three-pin receptacle: YGC1079-EV-P(3+2)RB/ I**



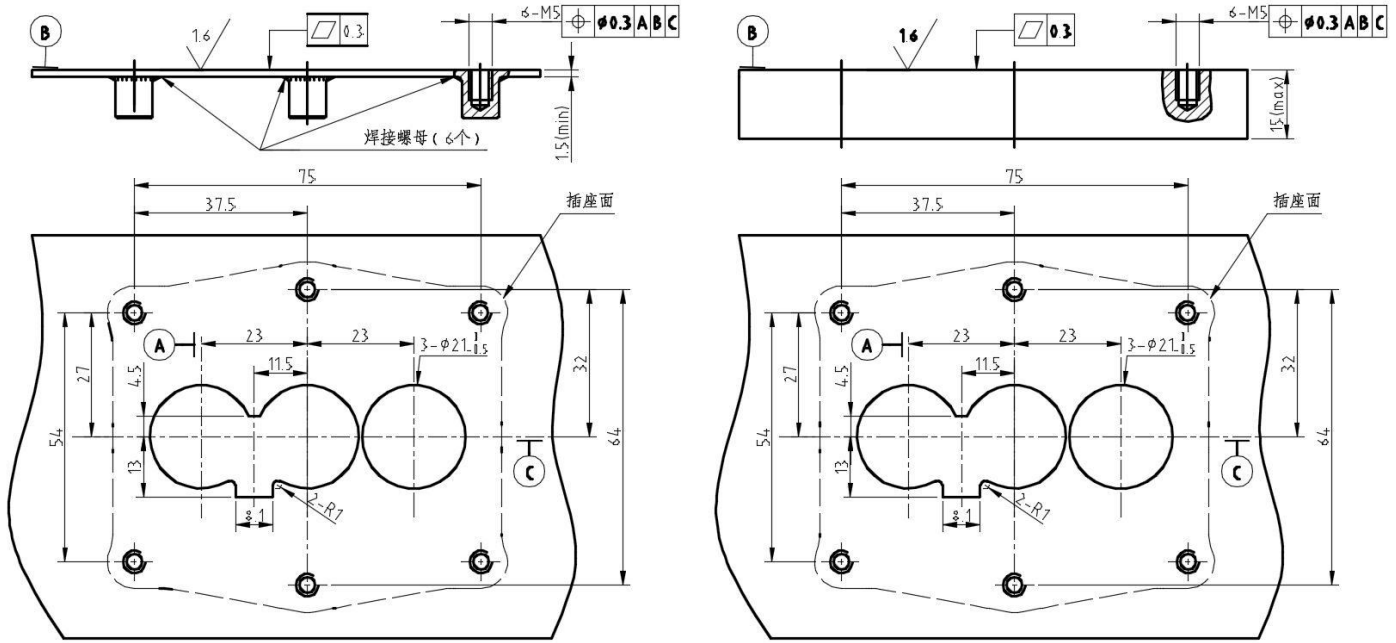
Recommended panel thickness and installation hole size



**21. Three-pin receptacle: YGC1079-EV-P(3+2)RC/ I**



Recommended panel thickness and installation hole size



## • Installation Introduction

Special tools	
Removal tools	/
Needle feeding tool	/
Crimping tools	/
Other Tools	/

## • Packing/Transportation/Storage

Packaging and storage instructions	
Storage requirements	Contact parts (gold-plated, silver-plated) must be stored separately, kept neat, clean and ventilated. The storage environment should be controlled at a humidity of $\leq 60\%$ and a temperature of $5 \sim 30^{\circ}\text{C}$ . The reference shelf life is 6 months.