	Product Name	Terminal receptacle connector	Docu NO.	BXM2022026001
	Part NO.	ESC-TB350 series product	Version	A0.1

ESC-TB250 Terminal receptacle connector


Technical Specification

Edited by/Date Linfei Fan 2022.11.03

Audited by/Date Zonghai Yu 2022.11.03

Approved by/Date Hong Wu 2022.11.03

表单编号	部 门	页 码
J3-7.3-48	车载产品中心	第1页 共7页


	Product Name	Terminal receptacle connector	Docu NO.	BXM2022026001
	Part NO.	ESC-TB350 series product	Version	A0.1

Changes & Revisions

<input type="checkbox"/> Change <input type="checkbox"/> Revise	Date	Major items	Revised by	Approved
<input type="checkbox"/> Change <input type="checkbox"/> Revise				
<input type="checkbox"/> Change <input type="checkbox"/> Revise				
<input type="checkbox"/> Change <input type="checkbox"/> Revise				

Send

No.	Name	Dept.	Position	Contact method
1				
2				
3				
4				
5				
6				
7				
8				
9				
10				
11				
12				
13				
14				
15				
16				
17				
18				
19				
20				

	Product Name	Terminal receptacle connector	Docu NO.	BXM2022026001
	Part NO.	ESC-TB350 series product	Version	A0.1

1. 产品型号及编码 (Model and Order No.)

序号 (No.)	产品型号 (Product Model)	产品编码 (Order No)	备注 (Note)	防护等级 (Protection Class)	线规 (Cable specification)
1	ESC-TB350-M8H-Y terminal receptacle	113060300197	正极-橙色 Positive-Orange	IP20	120mm ²
	ESC-TB350-M8T-Y terminal receptacle	113060300203			
2	ESC-TB350-M8H-B terminal receptacle	113060300196	负极-黑色 Negative-Black		
	ESC-TB350-M8T-B terminal receptacle	113060300202			

2. 技术参数 (Specification)

2.1. 电气特性 (Electrical Characteristic):

芯数 Pins	1
端子规格 Terminal specifications	24×5
额定电流 Rated Current	350A (120mm ²)
额定电压 Rated Voltage	1500V DC
耐电压 Voltage Proof	6800V DC
绝缘电阻 Insulation Resistance	≥100MΩ
温升 Temperature Rise	≤45K

2.2. 机械特性 (Mechanical Characteristic):


防护等级 Protection Class	IP20 (Mated or Receptacle)
-----------------------	----------------------------

2.3. 材料及表面处理 (Material and Finish):

材料 Material	绝缘体 Insulator: 工程塑料 Engineering plastics 接触件 Contact parts: 铜合金 Copper alloy
表面处理 Surface Treatment	镀镍 Nickel

2.4. 工作环境 (Environmental data):

表单编号	部 门	页 码
J3-7.3-48	车载产品中心	第3页 共7页

	Product Name	Terminal receptacle connector	Docu NO.	BXM2022026001
	Part NO.	ESC-TB350 series product	Version	A0.1

工作温度 Operating Temperature	-40℃ ~ +125℃
允许湿度 Relative Humidity	5% ~ 95%
振动 Vibration/冲击 Shock	QC/T 1067.1-2017 Vibration level V1

3. 物料简介(Introduction)


线缆规格 Cable specification	120mm ² (Recommended to adapt to the copper bar24×5) (Adapter screw M8×20, Recommended torque 12N·m)
端接方式 Termination Method	螺纹锁紧 M8 Thread termination
安装方式 Installation Method	螺钉 M4 Screw
安装扭矩 Installation Torque	2±0.2N·m
锁紧方式 Locking Method	锁扣锁紧 Spring locking

3.1. 应用场景(Application): 系统(电池)的功率传输(Power transmission of energy storage system (battery pack))

3.2. 执行标准(According To Standards): QC/T 1067.1-2017

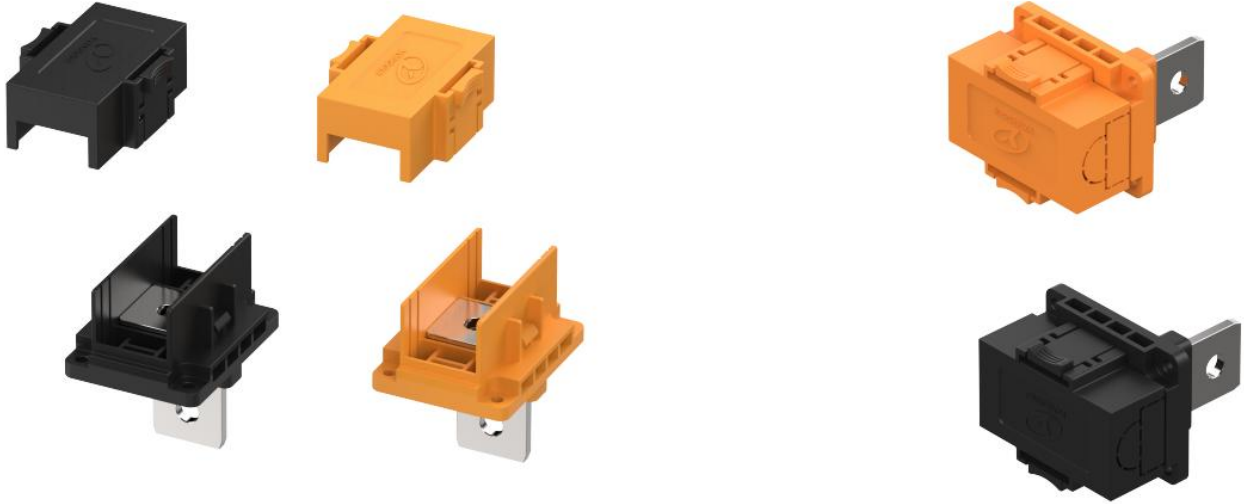
3.3. 环保信息(Environment Protect Data): RoHS 2.0

表单编号	部 门	页 码
J3-7.3-48	车载产品中心	第4页 共7页

	Product Name	Terminal receptacle connector	Docu NO.	BXM2022026001
	Part NO.	ESC-TB350 series product	Version	A0.1

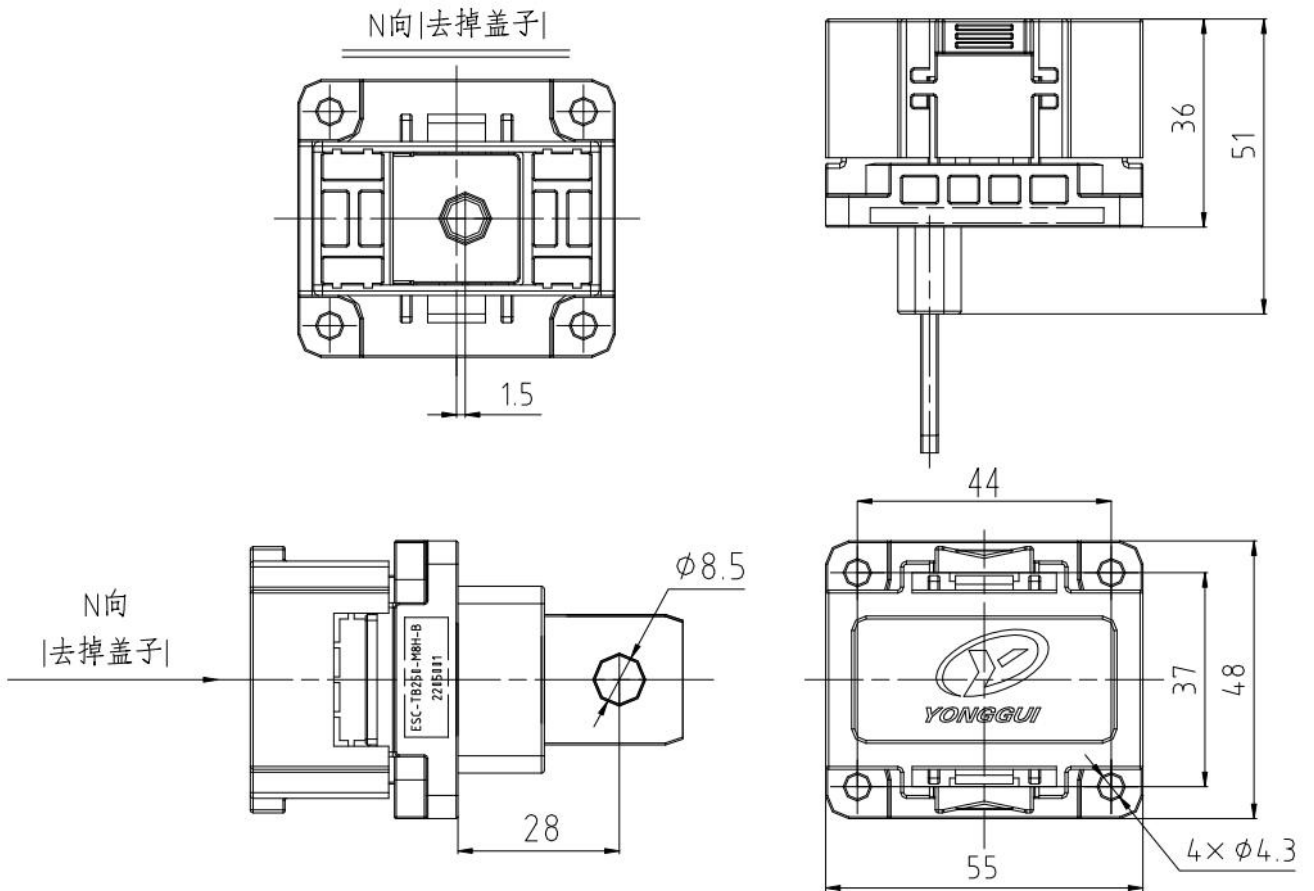
4. 外形尺寸(Outline Dimension)

4.1. 产品外形 Product Outline:




4.2. 产品外形尺寸 Product Outline Dimension:

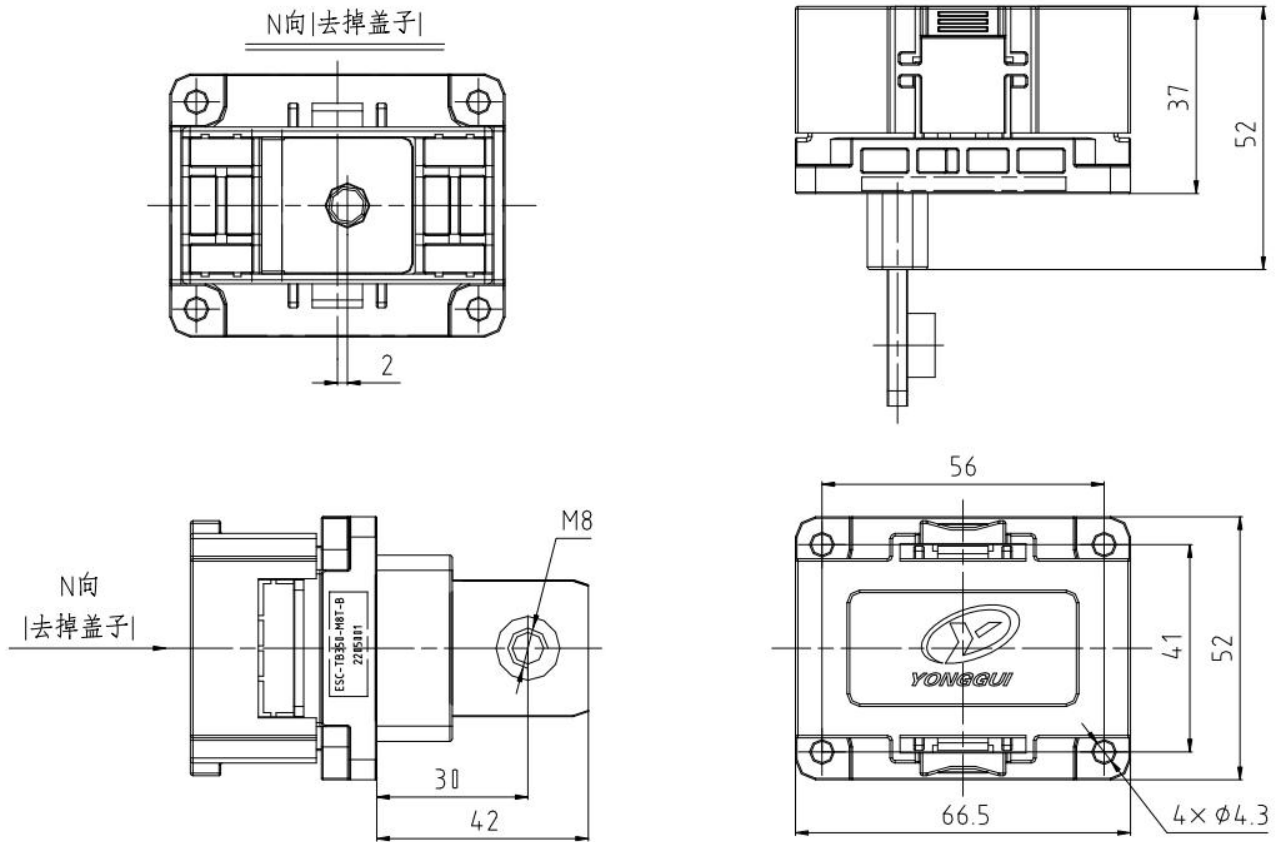
4.2.1. ESC-TB350-M8H-B/ESC-TB350-M8H-Y Outline Dimension



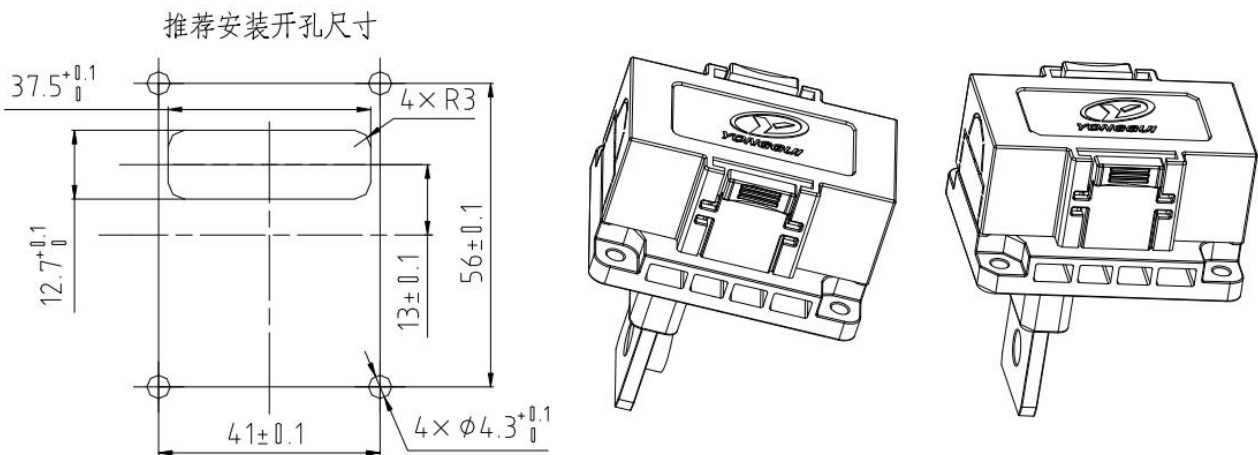
表单编号	部门	页码
J3-7.3-48	车载产品中心	第5页 共7页

	Product Name	Terminal receptacle connector	Docu NO.	BXM2022026001
	Part NO.	ESC-TB350 series product	Version	A0.1

4.2.2. ESC-TB350-M8T-B/ESC-TB350-M8T-Y Outline Dimension



4.2.3. 安装开孔尺寸 Installing Holes Dimension




5. 说明及包装存储 (Description and Packaging Storage)

5.1. 连接器应在提供的技术参数范围内使用，并严格遵照产品使用说明书，对产品进行安装、使用、维护。

Connecters should be used within the specification that provided,

Install, use and maintain the products according to the documents.

表单编号	部门	页码
J3-7.3-48	车载产品中心	第6页 共7页

	Product Name	Terminal receptacle connector	Docu NO.	BXM2022026001
	Part NO.	ESC-TB350 series product	Version	A0.1

5.2. 包装(Package): 防潮气泡袋及纸盒包装 moisture-proof bubble bag and carton.

5.3. 存储要求(Storage Spec):

包装成箱的产品应在环境温度-10℃~+40℃, 相对湿度 80%以下, 周围空气中无酸性, 碱性或其它腐蚀性气体的库房里贮存, 贮存期自生产日期不超过两年。

The packaged products shall be stored in the warehouse within the temperature of -10 °C~+ 40 °C, relative humidity less than 80%, and no acid, alkaline or other corrosive gases in the surrounding air. The storage period shall not exceed two years from the production date.

表单编号	部 门	页 码
J3-7.3-48	车载产品中心	第 7 页 共 7 页